



TOYO LED ELECTRONICS LIMITED

Room 1610, Hong Kong Plaza, 188 Connaught Road West, Hong Kong.
Tel : (852) 2540 7288 Fax : (852) 2517 1797
http://www.toyo-led.com E-mail : sales@toyo-led.com



P/N: TY-YSV1204URPG1(1.50)

1204 Package 3.2*1.0mm Surface Mount LEDs Series

✧ Features:

- 3.2mm x 1.0mm SMT LED, 1.50mm thickness
- Mono-color type
- Soldering methods :All SMT assembly methods
- Comply ROHS standard

✧ Description

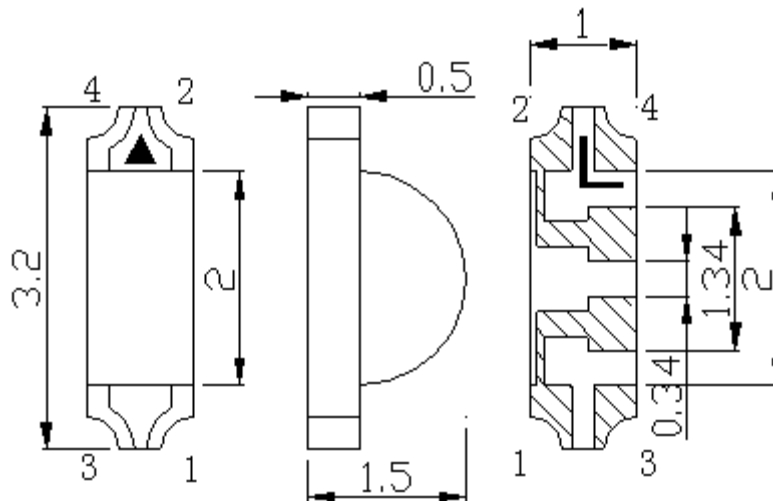
The Red source color devices are made with **AlGaInP** on sapphire Light Emitting Diode.

The Pure Green source color devices are made with **InGaN** on sapphire Light Emitting Diode.

✧ Application

- Optical indicator
- Indicator and backlighting in telephone and fax
- Flat backlight for LCD, switch and symbol
- Light pipe application
- General use

✧ Package Dimensions



NOTES :

1. All dimensions are in millimeter[unit];
2. Tolerance is $\pm 0.1\text{mm}$ (0.004") unless other specified;
3. Specifications are subject to change without notice.



TOYO LED ELECTRONICS LIMITED

Room 1610, Hong Kong Plaza, 188 Connaught Road West, Hong Kong.
 Tel : (852) 2540 7288 Fax : (852) 2517 1797
 http://www.toyo-led.com E-mail : sales@toyo-led.com



P/N: TY-YSV1204URPG1(1.50)

1204 Package 3.2*1.0mm Surface Mount LEDs Series

Part No.	Emitted Color	Lens Color	Chip Material
TY-YSV1204URPG1(1.50)	Red	Water clear	AlGaInP
	Pure Green	Water clear	InGaN

✧ Absolute Maximum Ratings(Ta=25)

Item	Symbol	Maximum		Unit
		UR	PG	
Power Dissipation	PD	75	135	mW
Continuous Forward Current	I _{Fmax}	30	30	mA
Peak Forward Current(1/10 Duty Cycle 0.1ms Pulse Width)	I _{FP}	80	140	mA
Reverse Voltage	V _R	5	5	V
Operating Temperature Range	T _{opr}	-40 to+85		
Storage Temperature Range	T _{stg}	-40 to+85		

✧ Electrical/Optical Characteristics(Ta=25)

Item	Symbol	Condition	Min.		Typ.		Max		Unit
			UR	PG	UR	PG	UR	PG	
Forward Voltage	V _F	I _F =20mA	--	--	1.9	3.0	2.1	3.4	V
Luminous Intensity	I _v	I _F =20mA	100	350	200	450	--	--	mcd
Dominate Wavelength	λ _d	I _F =20mA	--	--	620	518	625	522	nm
Viewing Angle	2θ _{1/2}	I _F =20mA	---	---	120	120	---	---	Deg
Reverse Current	I _R	V _R =5V	---	---	---	---	10	10	uA



TOYO LED ELECTRONICS LIMITED

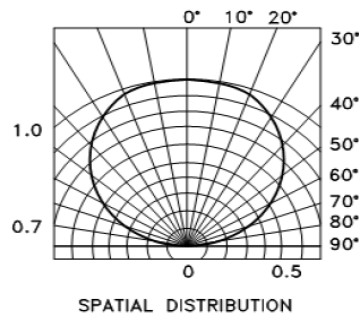
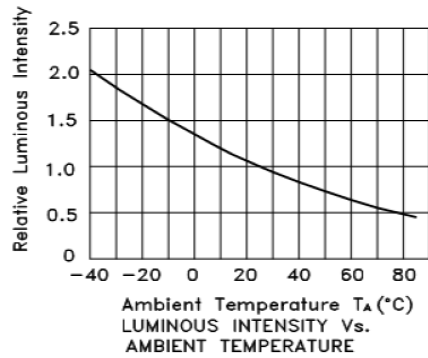
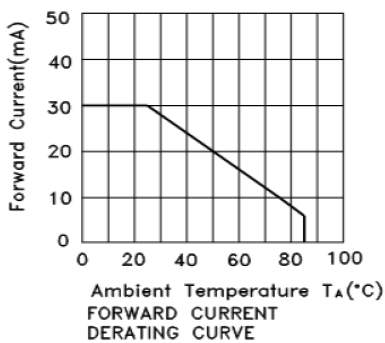
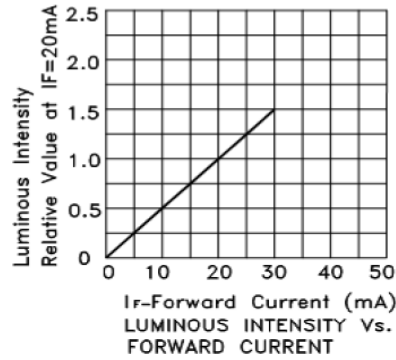
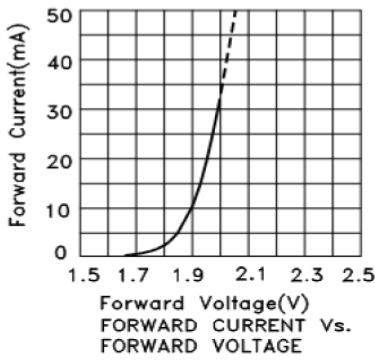
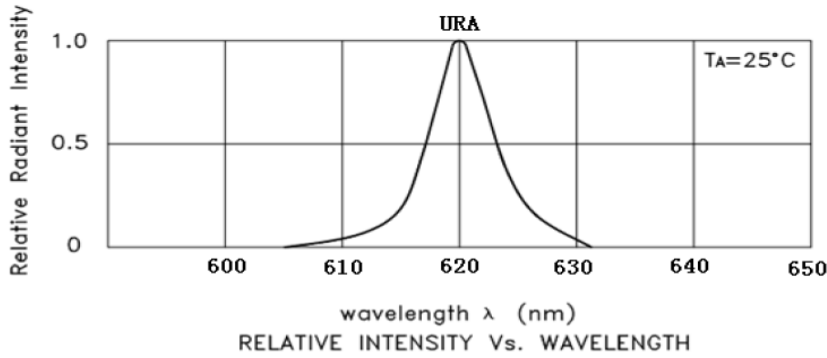
Room 1610, Hong Kong Plaza, 188 Connaught Road West, Hong Kong.
 Tel : (852) 2540 7288 Fax : (852) 2517 1797
 http://www.toyo-led.com E-mail : sales@toyo-led.com



P/N: TY-YSV1204URPG1(1.50)

1204 Package 3.2*1.0mm Surface Mount LEDs Series

✧ Typical Electro-Optical Characteristics Curves (Red)





TOYO LED ELECTRONICS LIMITED

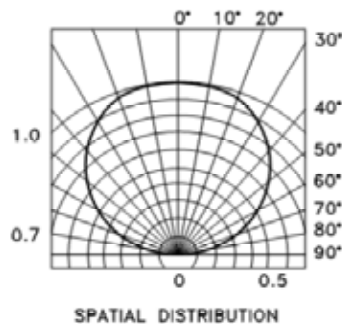
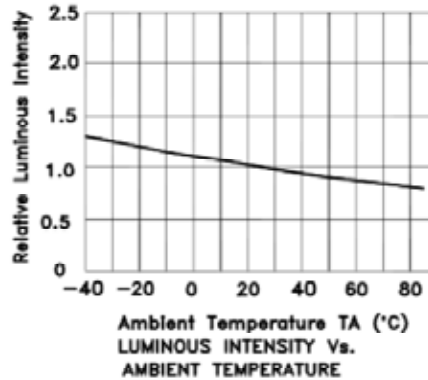
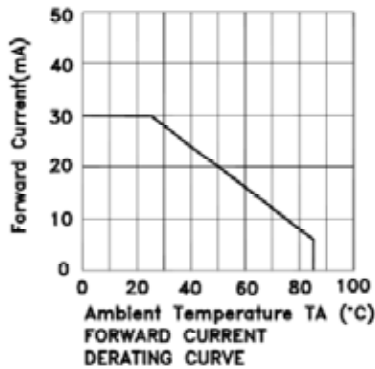
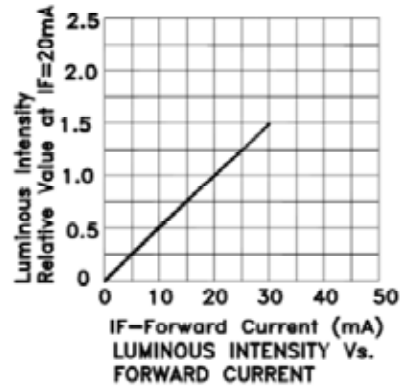
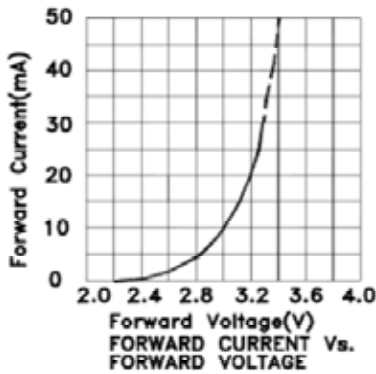
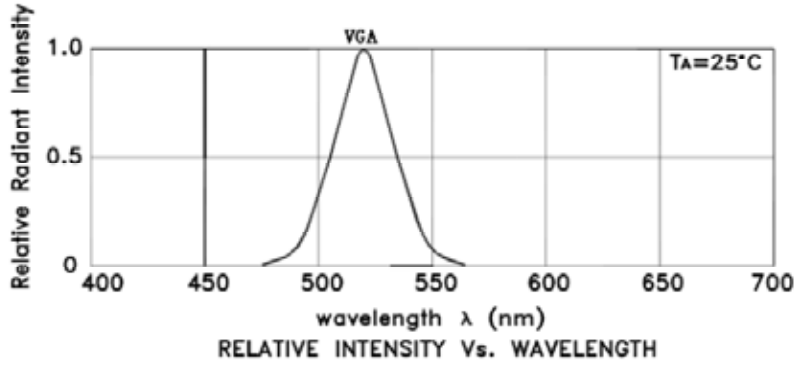
Room 1610, Hong Kong Plaza, 188 Connaught Road West, Hong Kong.
Tel : (852) 2540 7288 Fax : (852) 2517 1797
http://www.toyo-led.com E-mail : sales@toyo-led.com



P/N: TY-YSV1204URPG1(1.50)

1204 Package 3.2*1.0mm Surface Mount LEDs Series

◇ Typical Electro-Optical Characteristics Curves (Pure Green)





TOYO LED ELECTRONICS LIMITED

Room 1610, Hong Kong Plaza, 188 Connaught Road West, Hong Kong.
Tel : (852) 2540 7288 Fax : (852) 2517 1797
http://www.toyo-led.com E-mail : sales@toyo-led.com



P/N: TY-YSV1204URPG1(1.50)

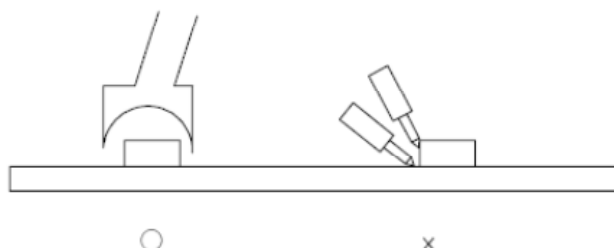
1204 Package 3.2*1.0mm Surface Mount LEDs Series

◇ Reliability Test Items And Conditions

NO.	Item	Test Condition	Test Hr/cycle/time	Sample Q'ty	Ac/Re
1	Reflow	TEMP:260±5 ; Min.5Sec	6 min	22pcs	0/1
2	Temperature Cycle	H:+100 15mins To(5mins) L:-40 15mins	300 cycles	22pcs	0/1
3	Thermal Shock	H:+100 15mins To(5mins) L:-40 15mins	300 cycles	22pcs	0/1
4	High Temperature Storage	TEMP:+260	1000hrs	22pcs	0/1
5	Low Temperature Storage	TEMP:-40	1000hrs	22pcs	0/1
6	DC Operating Life	IF=20MA	1000hrs	22pcs	0/1
7	High Temperature	85	1000hrs	22pcs	0/1
8	High Humidity	85%R.H.	1000hrs	22pcs	0/1

Rework

1. Customer must finish rework within 5 sec under 245°C.
2. The head of iron can not touch copper foil.
3. Twin-head type is preferred.





TOYO LED ELECTRONICS LIMITED

Room 1610, Hong Kong Plaza, 188 Connaught Road West, Hong Kong.
Tel : (852) 2540 7288 Fax : (852) 2517 1797
http://www.toyo-led.com E-mail : sales@toyo-led.com



P/N: TY-YSV1204URPG1(1.50)

1204 Package 3.2*1.0mm Surface Mount LEDs Series

❖ Precautions For Use

1. Over-current-proof

Customer must apply resistors for protection , otherwise slight voltage shift will cause big current change (Burn out will happen).

2. Storage time

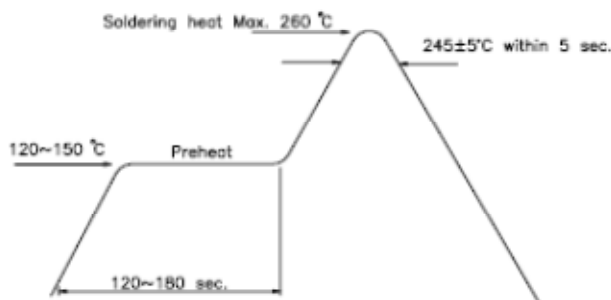
2.1 The operation of Temperature and RH are : 5°C~35°C, RH60%.

2.2 Once the package is opened, the products should be used within a week. Otherwise, they should be kept in a damp proof box with descanting agent. Considering the tape life , we suggest our customers to use our products within a year(from production date).

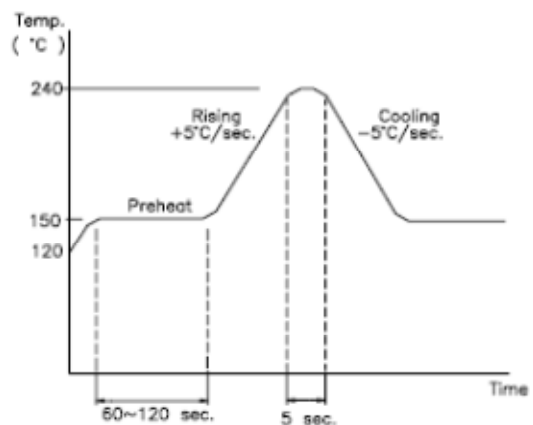
2.3 If opened more than one week in an atmosphere 5°C~35°C, RH 60%, they should be treated at 60°C± 5°C for 15hrs.

2.4 When you discover that the desiccant in the package has a pink color (Normal = blue) , you should treat them in the same conditions as 2.3.

Soldering heat



Reflow Temp / Time



Soldering Iron

Basic spec is ≤ 5 sec when 260°C. If temperature is higher, time should be shorter (+10°C → -1sec). Power dissipation of Iron should be smaller than 15 W , and temperature should be controllable. Surface temperature of the device should be under 230 °C.



TOYO LED ELECTRONICS LIMITED

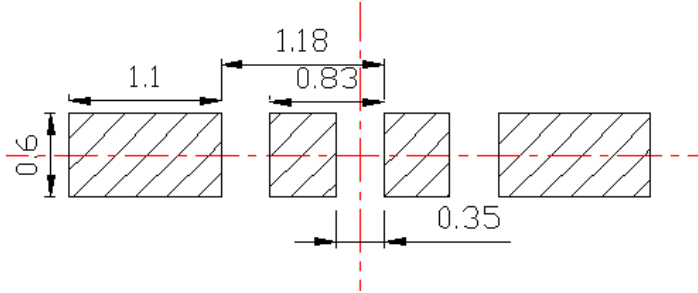
Room 1610, Hong Kong Plaza, 188 Connaught Road West, Hong Kong.
Tel : (852) 2540 7288 Fax : (852) 2517 1797
http://www.toyo-led.com E-mail : sales@toyo-led.com



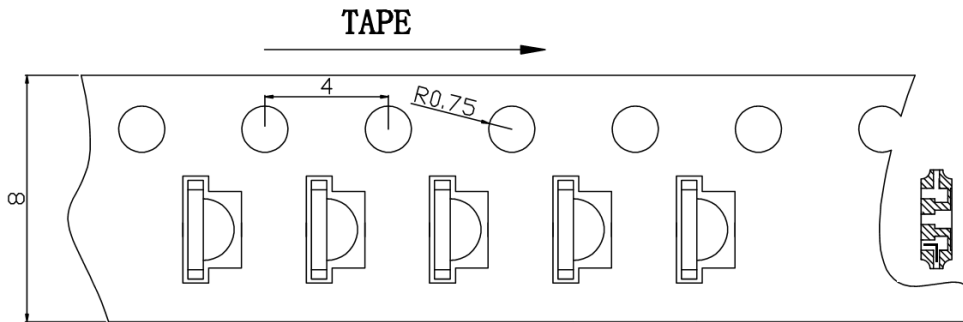
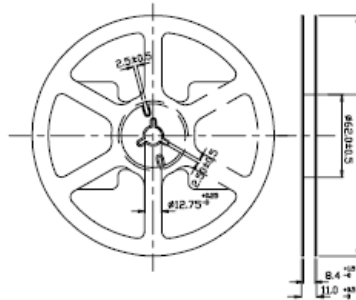
P/N: TY-YSV1204URPG1(1.50)

1204 Package 3.2*1.0mm Surface Mount LEDs Series

◇ Recommended Soldering Pad Dimensions



◇ Tape Specification: 2,000PCS per reel



◇ Package Label

SMD LED	
PART NO: _____	QA
LOT NO : _____	Pass
Q' TY : _____	
VF : _____ IV : _____	
WL : _____ BIN: _____	Pb
DATA : _____	
TOYO LED ELECTRONICS LIMITED	
Website: http://www.toyo-led.com E-mail: sales@toyo-led.com	



TOYO LED ELECTRONICS LIMITED

Room 1610, Hong Kong Plaza, 188 Connaught Road West, Hong Kong.
Tel : (852) 2540 7288 Fax : (852) 2517 1797
http://www.toyo-led.com E-mail : sales@toyo-led.com



P/N: TY-YSV1204URPG1(1.50)

1204 Package 3.2*1.0mm Surface Mount LEDs Series

❖ Package & Shipping Instructions

