



TOYO LED ELECTRONICS LIMITED

Room 1610, Hong Kong Plaza, 188 Connaught Road West, Hong Kong.

Tel : (852) 2540 7288
http://www.toyo-led.com

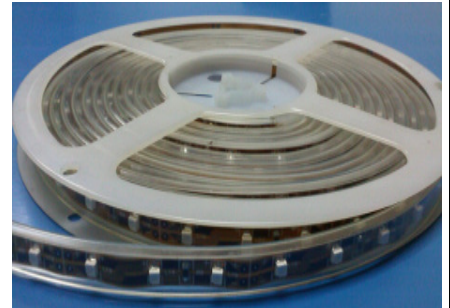
Fax : (852) 2517 1797
E-mail : sales@toyo-led.com



P/N: TY-F3528UR60W8-12-45-WPP

✧ Features:

- LED Flexible Strips with 60 LEDs per meter
- PLCC-2 package for single LED package
- waterproof with PVC
- Ultra Bright Red as Source Color
- Available on reel
- 12V DC Voltage
- Water-proofing IP68



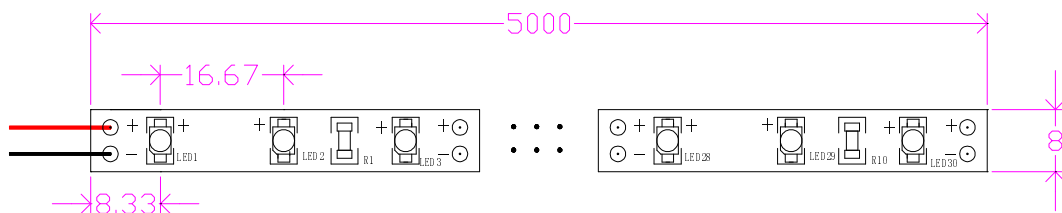
✧ Description

- The RED source color devices are made with InGaAlP on sapphire
- Light Emitting Diode as implied in single package

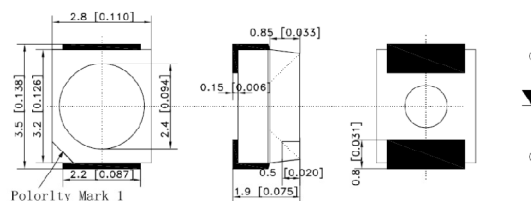
✧ Application

- General use
- Reveal display for hotel, commercial building, stage, bar, outdoor environment
- Declaration lighting
- Indoor lighting
- Shop-window decoration

✧ Physical Dimensions



Packing for single LED



NOTES:

1. All dimensions are in millimeter[unit];
2. Tolerance is $\pm 0.2\text{mm}$ (0.008 ") especially other specified;
3. Specifications are subject to change without notice.
4. IP68 : protection from : 6 : Dust tight-- No ingress of dust; complete protection against contact
8:Immersion beyond 1 m--The equipment is suitable for continuous immersion in water.



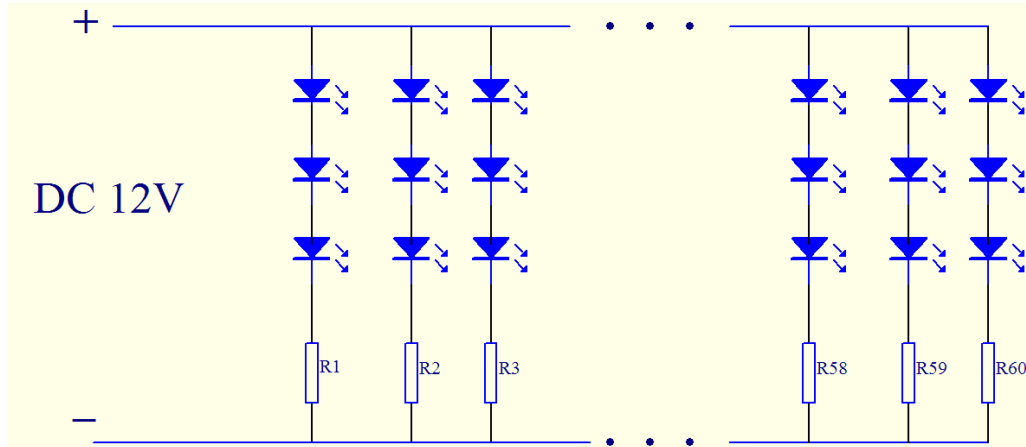
TOYO LED ELECTRONICS LIMITED

Room 1610, Hong Kong Plaza, 188 Connaught Road West, Hong Kong.
 Tel : (852) 2540 7288 Fax : (852) 2517 1797
 http://www.toyo-led.com E-mail : sales@toyo-led.com



P/N: TY-F3528UR60W8-12-45-WPP

◇ Schematic Drawing



◇ Absolute Maximum Ratings(Ta=25°C)

| Item | Symbol | Maximum | Unit |
|-----------------------------|------------------|-----------|------|
| Power Dissipation | PD | 4.8 | W |
| Continuous Forward Current | I _F | 400 | mA |
| Operating Temperature Range | T _{opr} | -10 to+40 | °C |
| Storage Temperature Range | T _{stg} | -10 to+40 | °C |

◇ Electrical/Optical Characteristics(Ta=25°C)

| Item | Symbol | Condition | Min. | Typ. | Max | Unit |
|---------------------------|-------------------|-----------------------|------|------|-----|------|
| Forward Voltage | V _F | I _F =400mA | -- | 12 | -- | V |
| Luminous Flux | Φ | I _F =400mA | -- | 45 | -- | lm |
| Wavelength | λ | I _F =400mA | 620 | 625 | 630 | nm |
| Viewing Angle | 2θ _{1/2} | I _F =400mA | -- | 120 | -- | Deg |
| Recommend Forward Current | I _F | -- | -- | 400 | -- | mA |

Remarks:

All Electrical and Optical characteristics are based on reference of single LED package.



TOYO LED ELECTRONICS LIMITED

Room 1610, Hong Kong Plaza, 188 Connaught Road West, Hong Kong.

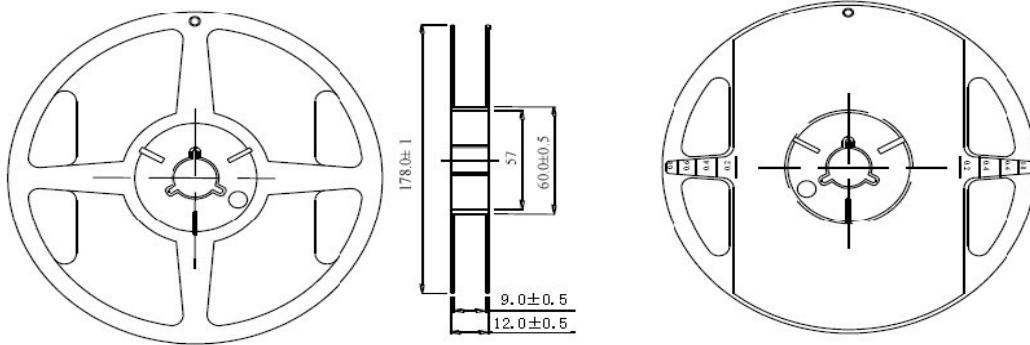
Tel : (852) 2540 7288
http://www.toyo-led.com

Fax : (852) 2517 1797
E-mail : sales@toyo-led.com



P/N: TY-F3528UR60W8-12-45-WPP

❖ Tape Specification: 5 Meters per reel



❖ Package Label

| LED Strips . . | |
|---|---------|
| PART NO: _____ | QA Pass |
| LOT NO : _____ | |
| Q' TY : _____ | |
| VF : _____ ΦV: _____ | |
| TC : _____ VLD: _____ | Pb |
| DATE : _____ | |
| TOYO LED ELECTRONICS LIMITED | |
| Website: http://www.toyo-led.com E-mail: sales@toyo-led.com | |



TOYO LED ELECTRONICS LIMITED

Room 1610, Hong Kong Plaza, 188 Connaught Road West, Hong Kong.

Tel : (852) 2540 7288
http://www.toyo-led.com

Fax : (852) 2517 1797
E-mail : sales@toyo-led.com

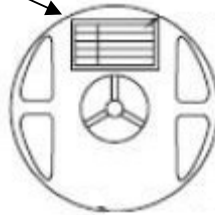


P/N: TY-F3528UR60W8-12-45-WPP

Package & Shipping Instructions



Label



5 Meters/Reel



ANTI-STATIC BAGS



60 reels / Box (300 Meters)
Size: 480 x 390 x 260(mm)