



TOYO LED ELECTRONICS LIMITED

Room 1610, Hong Kong Plaza, 188 Connaught Road West, Hong Kong.

Tel: (852) 2540 7288

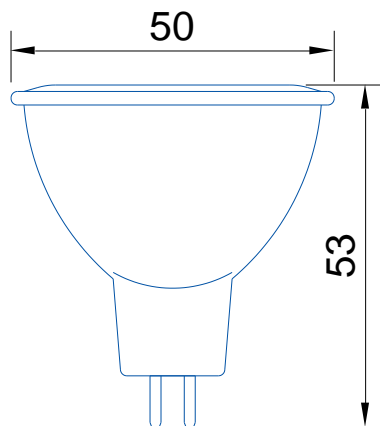
Fax: (852) 2517 1797

http://www.toyo-led.com

E-mail: sales@toyo-led.com

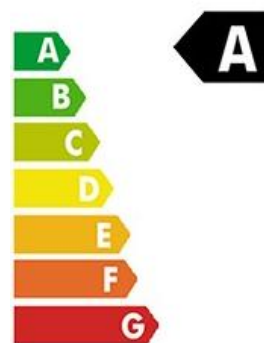


LED Reflector 5W Series



Specification Features

- Save 40% -50% energy than traditional light source
- Operating temperature: -25~50°C
- Operating Humidity: 0~85%
- Ingress Protection: IP44
- Lifespan (Ta=25°C): 25000 hours
- Beam Angle = 38°
- Net Weight: 40g
- Housing Materials: Aluminum+PC



Part No.	Power(W)	Input(V)	CCT (K)	Luminous (lm)	CRI	Lamp Base	Size
TY-5WSP-A-E301	5	DC12	3000	480	>80	MR16	φ50xL53mm
TY-5WSP-A-E401	5	DC12	4000	490	>80	MR16	φ50xL53mm
TY-5WSP-A-E601	5	DC12	6000	500	>80	MR16	φ50xL53mm