



# TOYO LED ELECTRONICS LIMITED

Room 1610, Hong Kong Plaza, 188 Connaught Road West, Hong Kong.

Tel: (852) 2540 7288

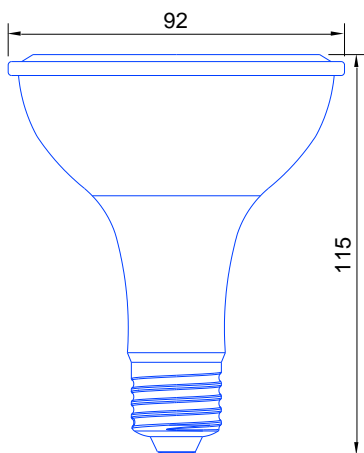
Fax: (852) 2517 1797

http://www.toyo-led.com

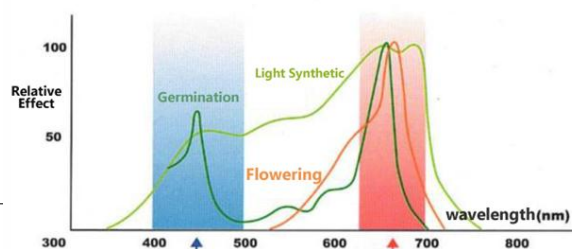
E-mail: sales@toyo-led.com



## LED Plant Lamp 12W Series



LED Wavelengths Relative Effectiveness

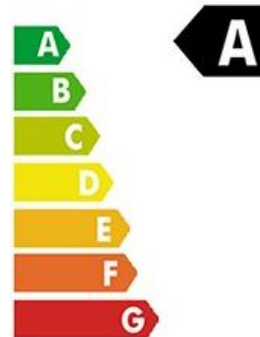


Around 450nm Blue LED is to Promote Germination

Around 660nm Red LED light is to promote the Synthesis, Germination, Flowering

### Specification Features

- Our Plant Lamp series helps to boost your indoor plants grow up by transmitting light energy (Wave Length : 450nm & 650nm) which is a critical element for photosynthesis.
- Operating temperature: -25~50°C
- Operating Humidity: 0~85%
- Ingress Protection: IP44
- Lifespan (Ta=25°C): 30000 hours
- Beam Angle = 36 °
- Net Weight: 170g
- Housing Materials: Aluminum+PC



Part No.	Power(W)	Input(V)	Wave Length	Lamp Base	Size	Remarks
TY-12WPL-A-AB01	12	AC85-277	450-455nm	E27	φ92xL115mm	Used to Germinate
TY-12WPL-A-AR01	12	AC85-277	650-660nm	E27	φ92xL115mm	Used to Blossom
TY-12WPL-A-AM01	12	AC85-277	450/660nm	E27	φ92xL115mm	Used to Germinate and Blossom