



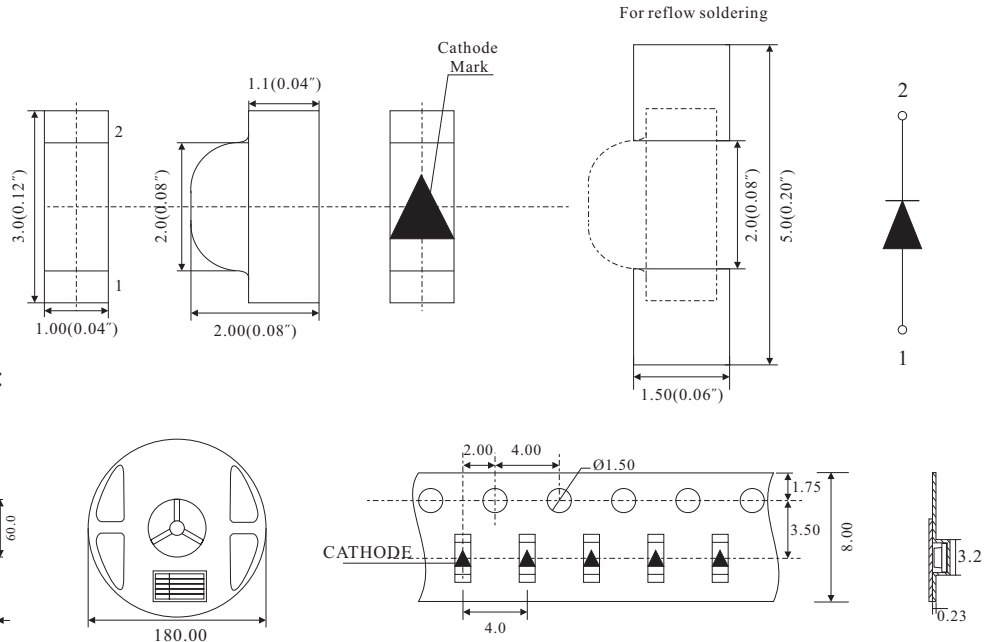
PACKAGE DIMENSION

TY-1204YG1



Features:

1. Emitted Color:
Yellow Green.
2. Lens Appearance:
Water Clear



Absolute Maximum Ratings at $T_A=25^{\circ}\text{C}$

Parameter	Symbol	Maximum Rating	Units
Power Dissipation	P_d	75	mW
Forward Current	I_F	30	mA
Peak Forward Current (1/10 Duty Cycle, 0.1ms Pulse Width.)	I_{FP}	125	mA
Reverse Voltage	V_R	5	V
Operating Temperature	T_{opr}	-20°C to +80°C	
Storage Temperature	T_{stg}	-20°C to +80°C	

Electrical / Optical Characteristics at $T_A=25^{\circ}\text{C}$

Parameter	Symbol	MIN.	TYP.	MAX.	Units	Test Condition
Forward Voltage	V_f	-	1.85	2.30	V	$I_F=20\text{mA}$
Luminous Intensity	I_v	15	-	-	mcd	$I_F=20\text{mA}$
Reverse Current	I_R	-	-	10	μA	$V_R=5\text{V}$
Peak Wavelength	λ_p	-	573	-	nm	$I_F=20\text{mA}$
Dominant Wavelength	λ_d	567	572	577	nm	$I_F=20\text{mA}$
Spectral Line Half-width	$\Delta\lambda$	-	18	-	nm	$I_F=20\text{mA}$
Viewing Angle	$2\theta_{1/2}$	-	150	-	deg	$I_F=20\text{mA}$

1. All dimension are in millimeters (inches);
2. Tolerance is $\pm 0.10\text{mm}$ (0.004") unless otherwise specified;
3. Luminous intensity tolerance is $\pm 10\%$;
4. 3,000pcs in a reel.