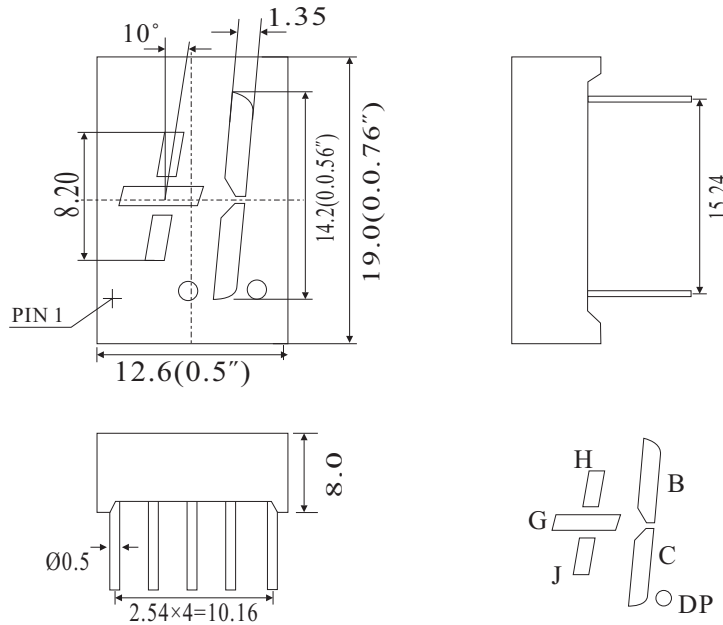




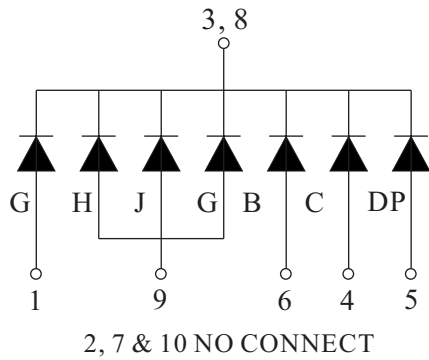
PACKAGE DIMENSION

S10561

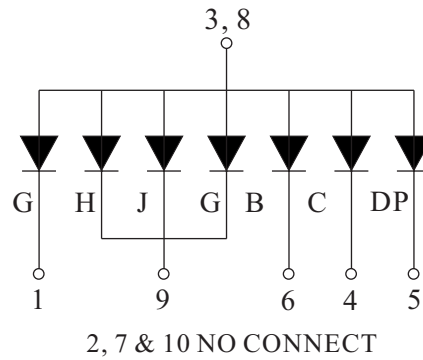


UNIT: MM(INCH) TOLERANCE: ±0.25(0.01")

INTERNAL CIRCUIT DIAGRAM



CODE J



CODE G