



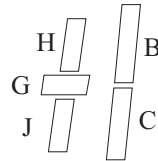
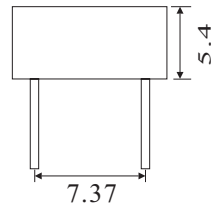
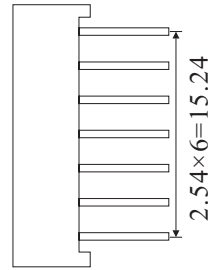
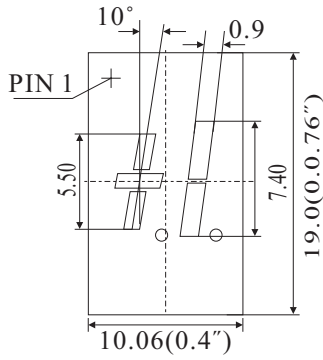
TOYO LED ELECTRONICS LIMITED

<http://www.toyo-led.com>

e-mail: sales@toyo-led.com

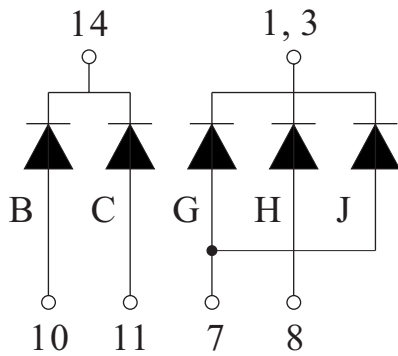
PACKAGE DIMENSION

S10301



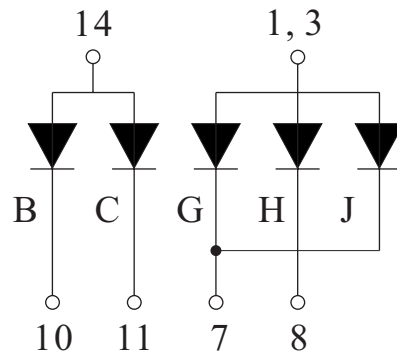
UNIT: MM(INCH) TOLERANCE: $\pm 0.25(0.01)$ "

INTERNAL CIRCUIT DIAGRAM



2, 4, 5, 6, 9, 12 & 13 NO PIN

CODE J1



2, 4, 5, 6, 9, 12 & 13 NO PIN

CODE G1