



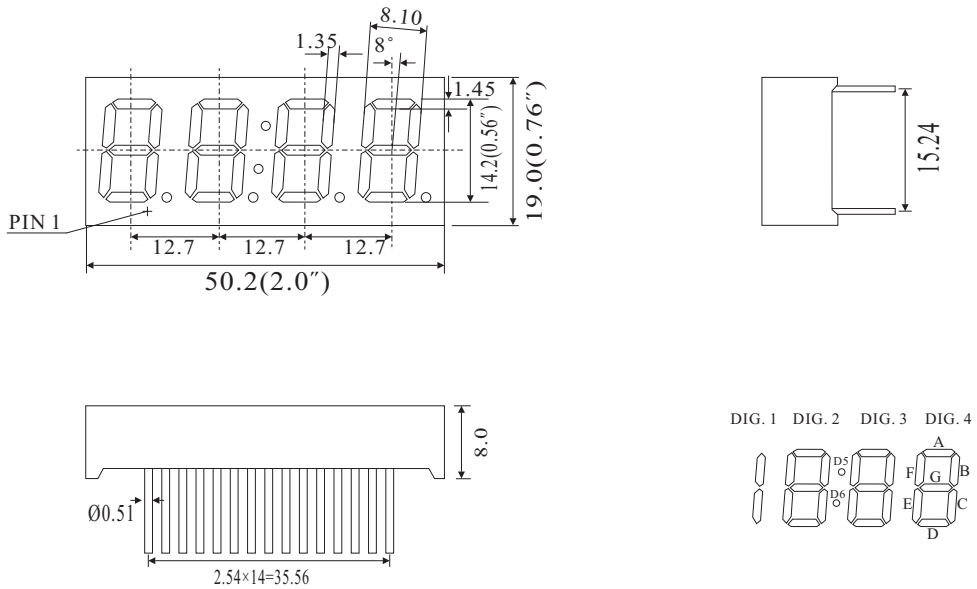
TOYO LED ELECTRONICS LIMITED

<http://www.toyo-led.com>

e-mail: sales@toyo-led.com

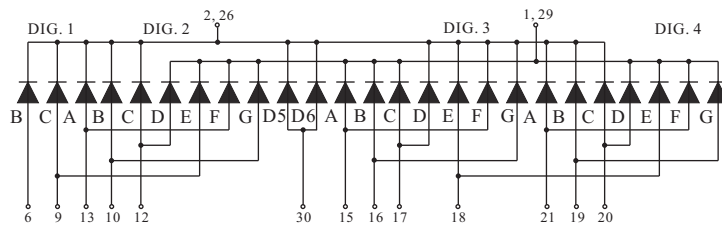
PACKAGE DIMENSION

E40564

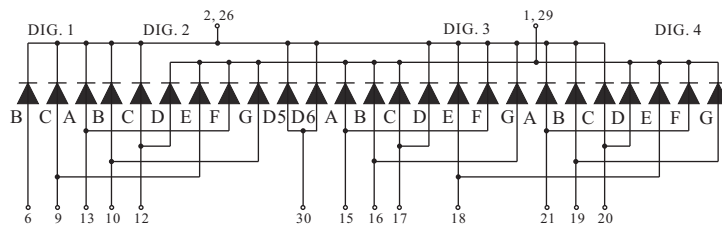


UNIT: MM(INCH) TOLERANCE: $\pm 0.25(0.01")$

INTERNAL CIRCUIT DIAGRAM



3, 4, 5, 7, 8, 11, 14, 22, 23, 24, 25, 27 & 28 NO PIN
CODE L9



3, 4, 5, 7, 8, 11, 14, 22, 23, 24, 25, 27 & 28 NO PIN
CODE I9