



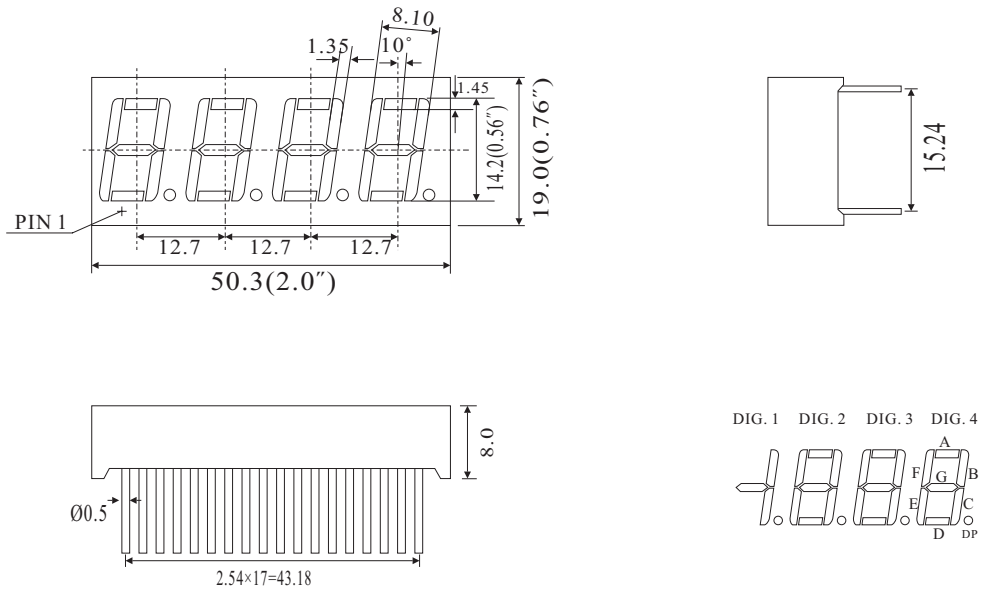
TOYO LED ELECTRONICS LIMITED

<http://www.toyo-led.com>

e-mail: sales@toyo-led.com

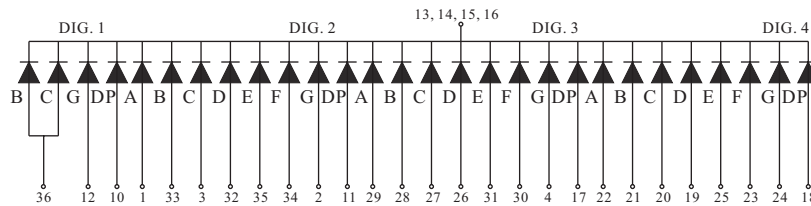
PACKAGE DIMENSION

E40561



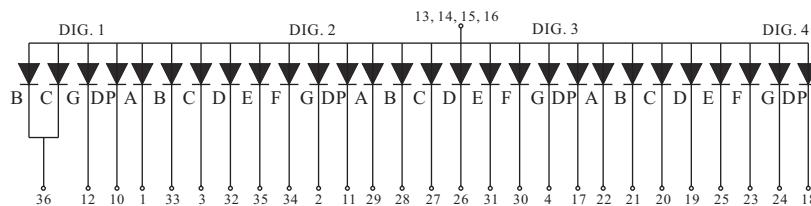
UNIT: MM(INCH) TOLERANCE: $\pm 0.25(0.01")$

INTERNAL CIRCUIT DIAGRAM



5, 6, 7, 8 & 9 NO CONNECT

CODE J2



5, 6, 7, 8 & 9 NO CONNECT

CODE G2