



TOYO LED ELECTRONICS LIMITED

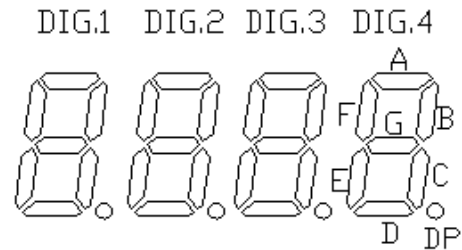
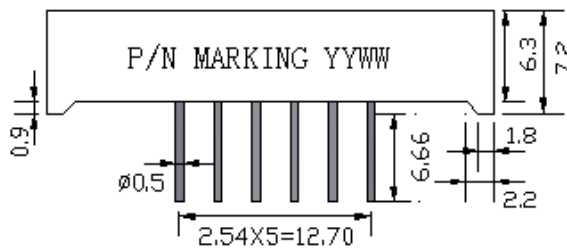
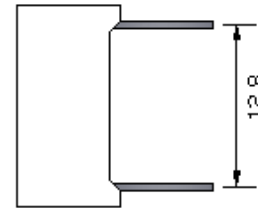
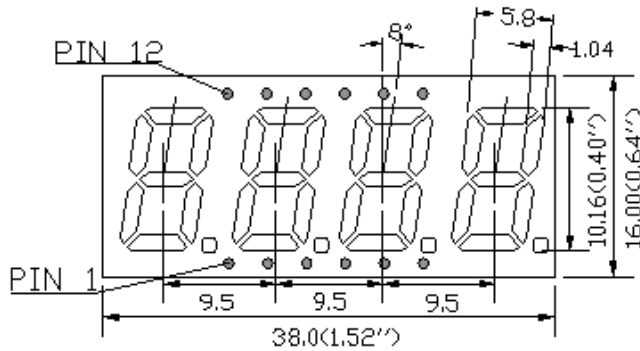
Room 1610, Hong Kong Plaza, 188 Connaught Road West, Hong Kong.
 Tel : (852) 2540 7288 Fax : (852) 2517 1797
 http://www.toyo-led.com E-mail : sales@toyo-led.com



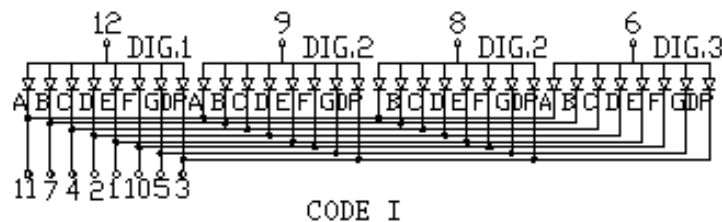
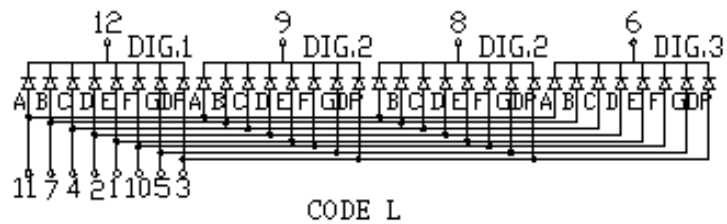
P/N: E40410-L/I

4-digit Displays Series

PACKAGE DIMENSION



INTERNAL CIRCUIT DIAGRAM



NOTES:

1. All dimensions are in millimeter(inch);
2. Tolerance is $\pm 0.25\text{mm}(0.01'')$ especially other specified;
3. Pin length, housing color, marking no & circuit diagram can be customized;
4. Specifications are subject to change without notice.