



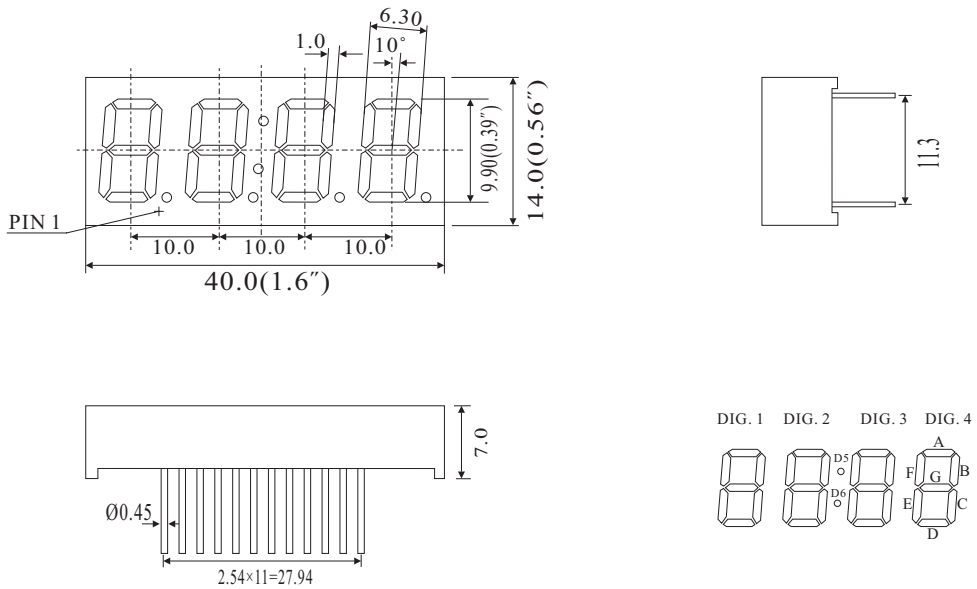
# TOYO LED ELECTRONICS LIMITED

<http://www.toyo-led.com>

e-mail: [sales@toyo-led.com](mailto:sales@toyo-led.com)

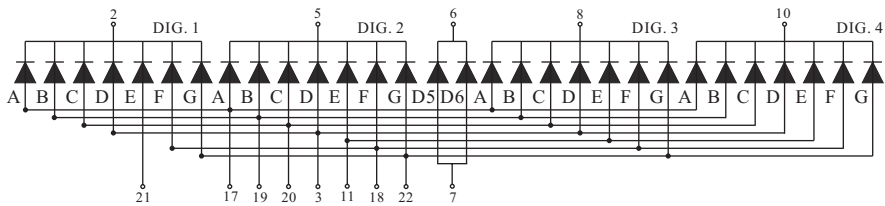
## PACKAGE DIMENSION

E40391



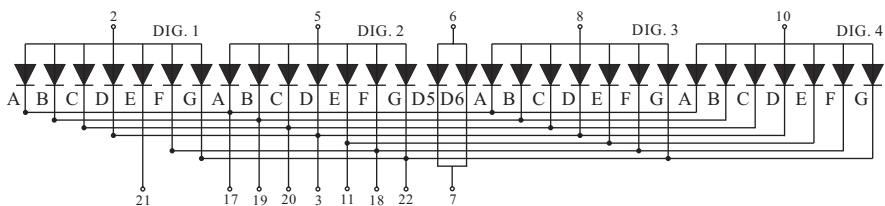
UNIT: MM(INCH) TOLERANCE:  $\pm 0.25(0.01")$

## INTERNAL CIRCUIT DIAGRAM



1, 4, 9, 12, 13, 14, 15, 16, 23 & 24 NO CONNECT

CODE L9



1, 4, 9, 12, 13, 14, 15, 16, 23 & 24 NO CONNECT

CODE I9