



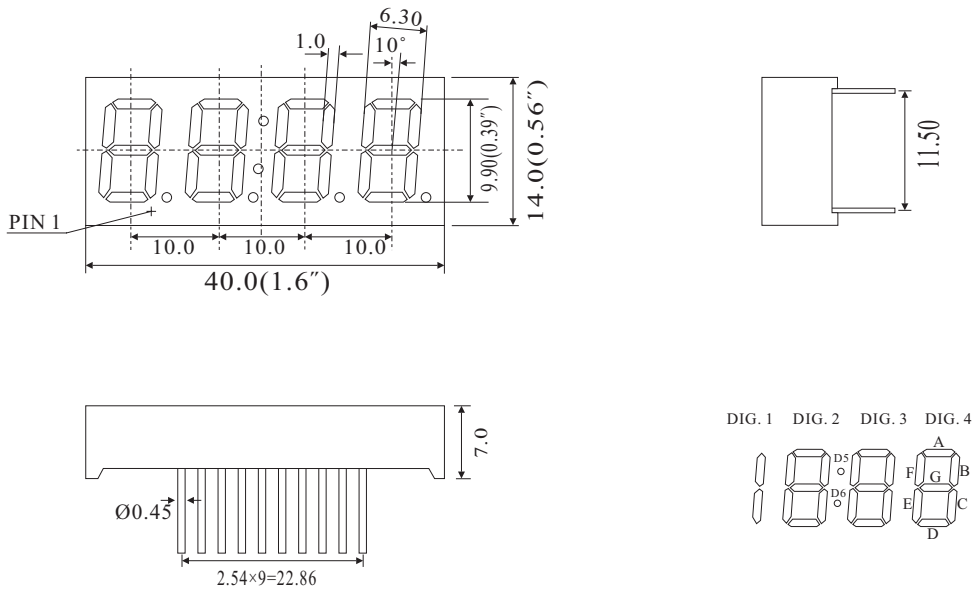
TOYO LED ELECTRONICS LIMITED

<http://www.toyo-led.com>

e-mail: sales@toyo-led.com

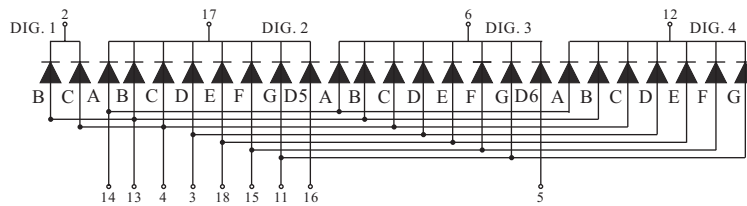
PACKAGE DIMENSION

E40391



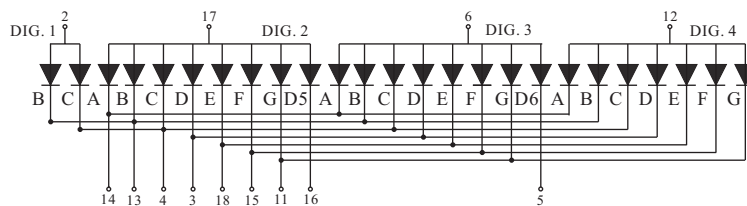
UNIT: MM(INCH) TOLERANCE: $\pm 0.25(0.01")$

INTERNAL CIRCUIT DIAGRAM



1, 7, 8, 9, 10, 19 & 20 NO CONNECT

CODE L14



1, 7, 8, 9, 10, 19 & 20 NO CONNECT

CODE I14