



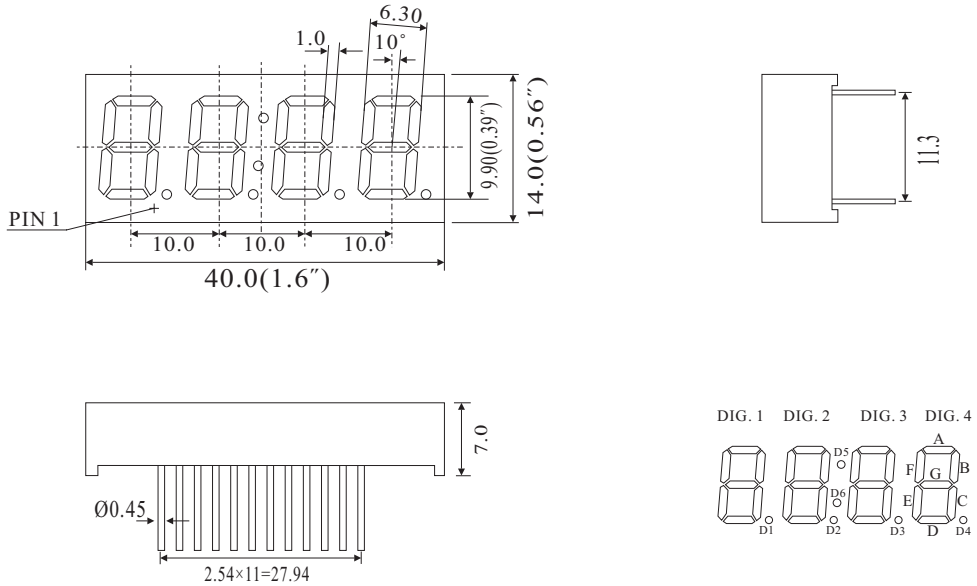
TOYO LED ELECTRONICS LIMITED

<http://www.toyo-led.com>

e-mail: sales@toyo-led.com

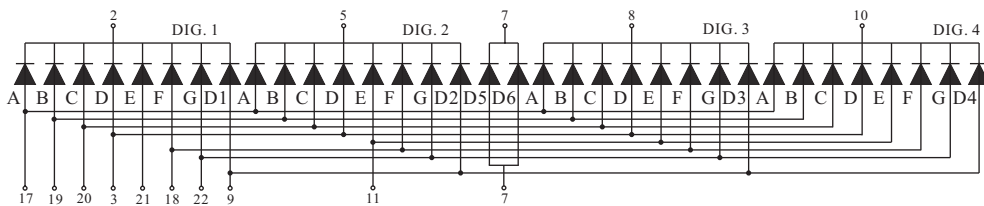
PACKAGE DIMENSION

E40391

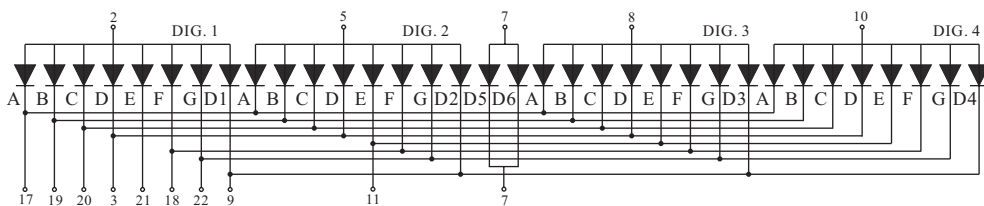


UNIT: MM(INCH) TOLERANCE: ±0.25(0.01")

INTERNAL CIRCUIT DIAGRAM



1, 4, 12, 13, 15, 16, 23 & 24 NO PIN
CODE L1



1, 4, 12, 13, 15, 16, 23 & 24 NO PIN
CODE I1