



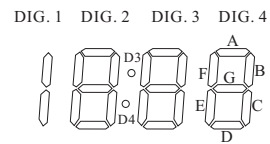
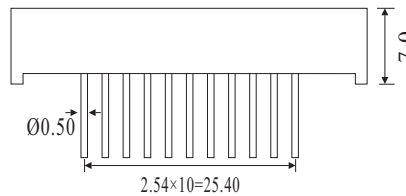
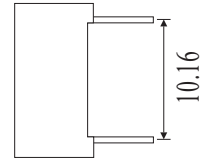
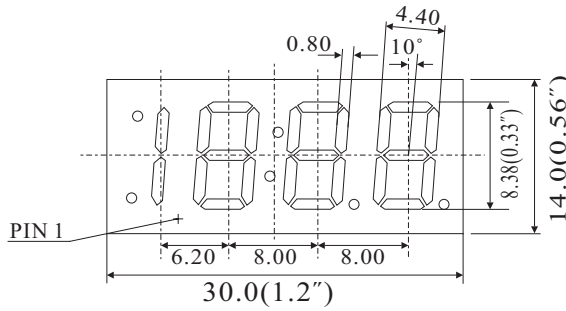
TOYO LED ELECTRONICS LIMITED

<http://www.toyo-led.com>

e-mail: sales@toyo-led.com

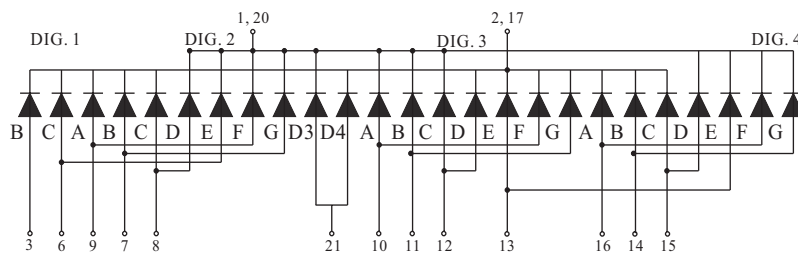
PACKAGE DIMENSION

E40331



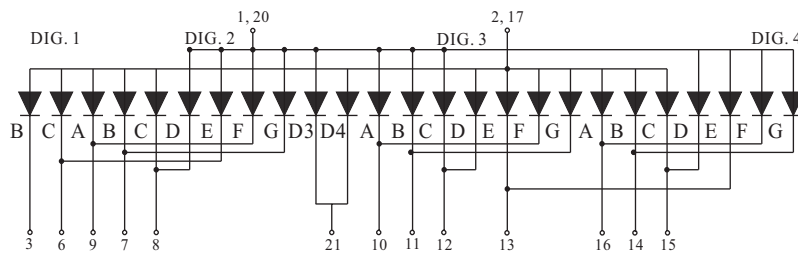
UNIT: MM(INCH) TOLERANCE: $\pm 0.25(0.01")$

INTERNAL CIRCUIT DIAGRAM



4, 5, 18, 19 & 22 NO CONNECT

CODE L8



4, 5, 18, 19 & 22 NO CONNECT

CODE I8