



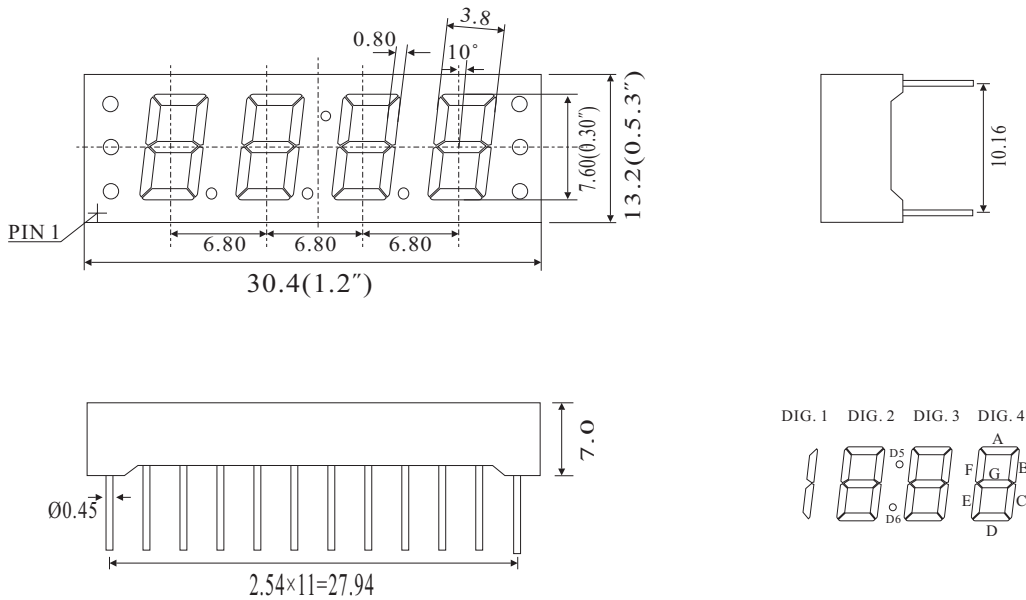
# TOYO LED ELECTRONICS LIMITED

<http://www.toyo-led.com>

e-mail: [sales@toyo-led.com](mailto:sales@toyo-led.com)

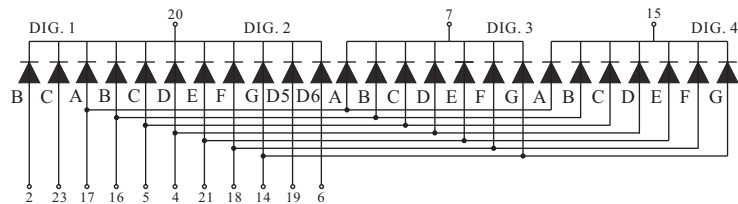
## PACKAGE DIMENSION

E40301

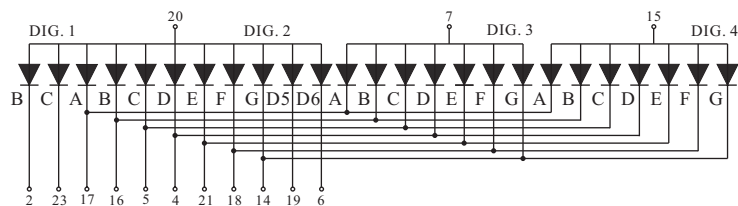


UNIT: MM(INCH) TOLERANCE: ±0.25(0.01")

## INTERNAL CIRCUIT DIAGRAM



1, 3, 8, 9, 10, 11, 12, 13, 22 & 24 NO PIN  
CODE L6



1, 3, 8, 9, 10, 11, 12, 13, 22 & 24 NO PIN  
CODE I6