



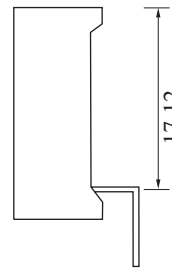
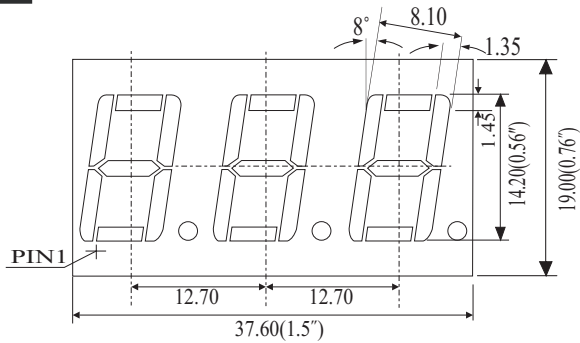
# TOYO LED ELECTRONICS LIMITED

<http://www.toyo-led.com>

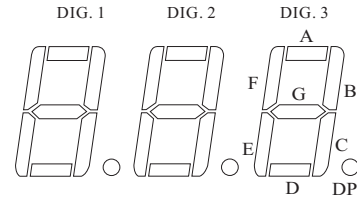
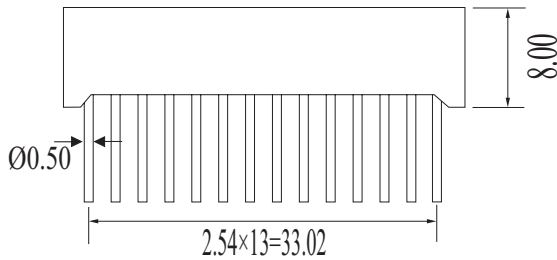
e-mail: [sales@toyo-led.com](mailto:sales@toyo-led.com)

## PACKAGE DIMENSION

E30561



Pin preform available to customer design.



UNIT: MM(INCH) TOLERANCE:  $\pm 0.25(0.01'' )$

## INTERNAL CIRCUIT DIAGRAM

