



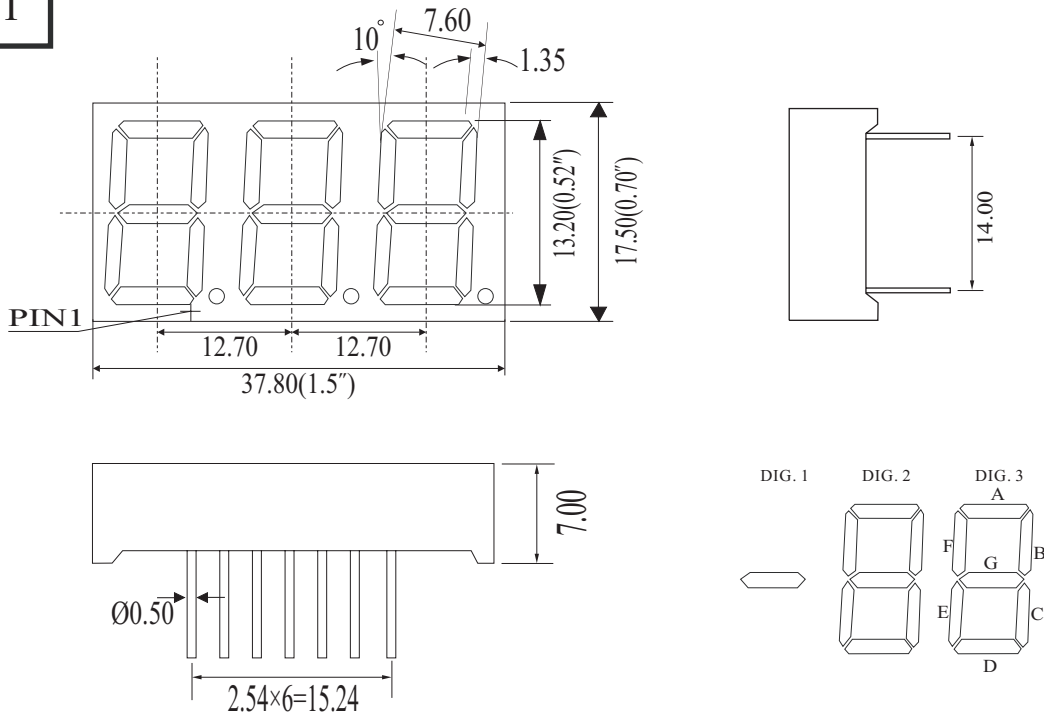
# TOYO LED ELECTRONICS LIMITED

<http://www.toyo-led.com>

e-mail: [sales@toyo-led.com](mailto:sales@toyo-led.com)

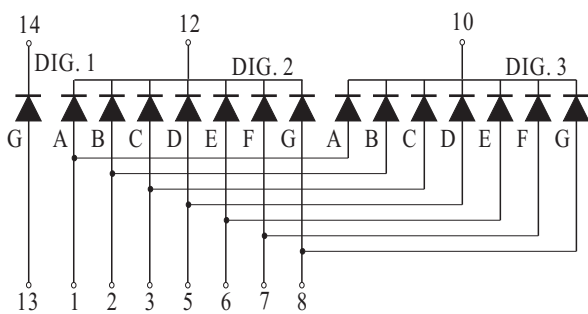
## PACKAGE DIMENSION

E30521

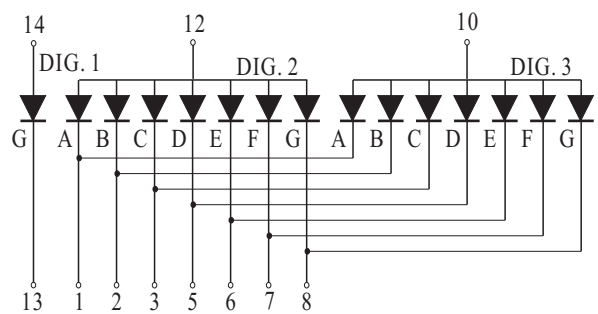


UNIT: MM(INCH) TOLERANCE: ±0.25(0.01")

## INTERNAL CIRCUIT DIAGRAM



4 & 11 NO PIN; 9 NO CONNECT  
CODE L2



4 & 11 NO PIN; 9 NO CONNECT  
CODE I2