



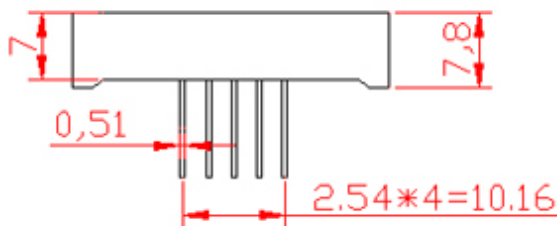
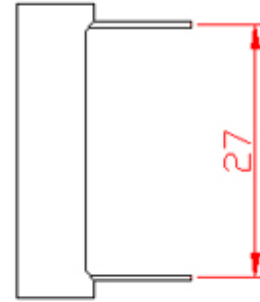
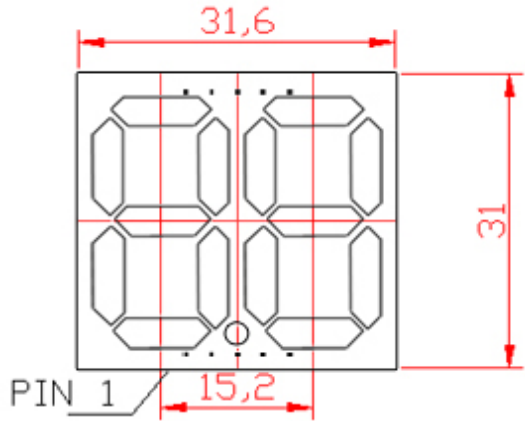
# TOYO LED ELECTRONICS LIMITED

Room 1610, Hong Kong Plaza, 188 Connaught Road West, Hong Kong.  
 Tel : (852) 2540 7288 Fax : (852) 2517 1797  
 http://www.toyo-led.com E-mail : sales@toyo-led.com

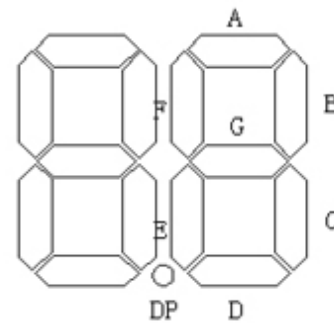


**P/N: E21001**

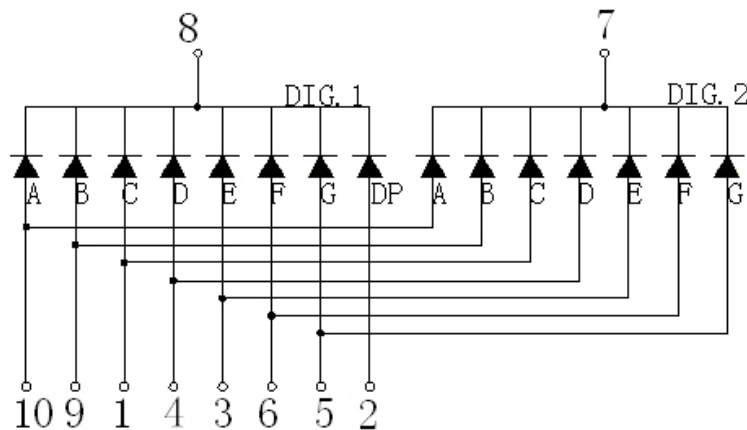
## PACKAGE DIMENSION



DIG. 1 DIG. 2



## INTERNAL CIRCUIT DIAGRAM



CODE J

**NOTES:**

1. All dimensions are in millimeter;
2. Tolerance is  $\pm 0.25\text{mm}$  , unless other specified;
3. Pin length, housing color, marking no & circuit diagram can be customized;
4. Specifications are subject to change without notice.