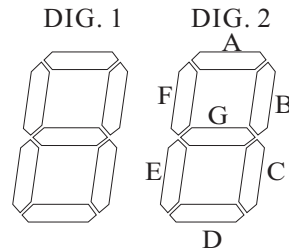
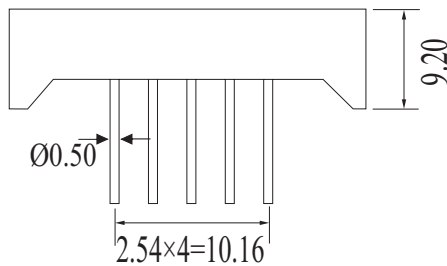
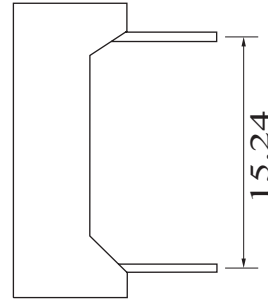
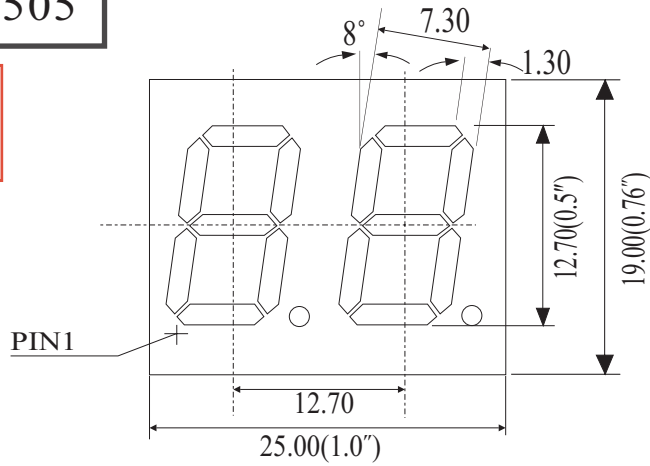




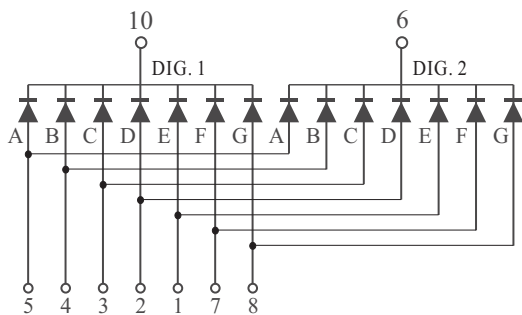
PACKAGE DIMENSION

E20505

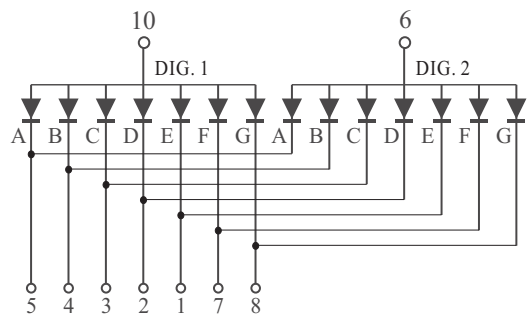


UNIT: MM(INCH) TOLERANCE: $\pm 0.25(0.01)$ "

INTERNAL CIRCUIT DIAGRAM



CODE L



CODE I