



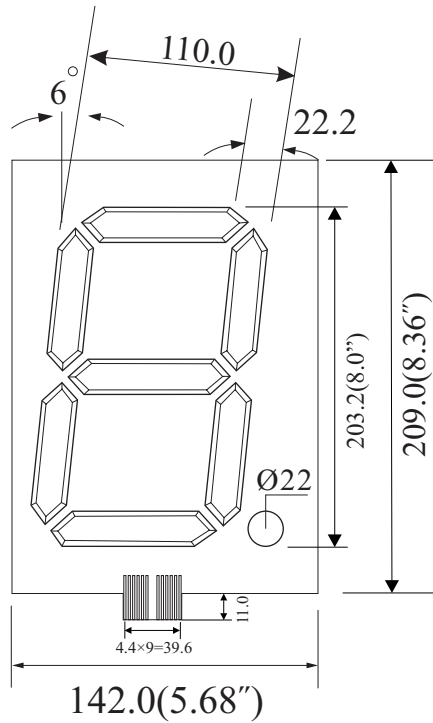
TOYO LED ELECTRONICS LIMITED

<http://www.toyo-led.com>

e-mail: sales@toyo-led.com

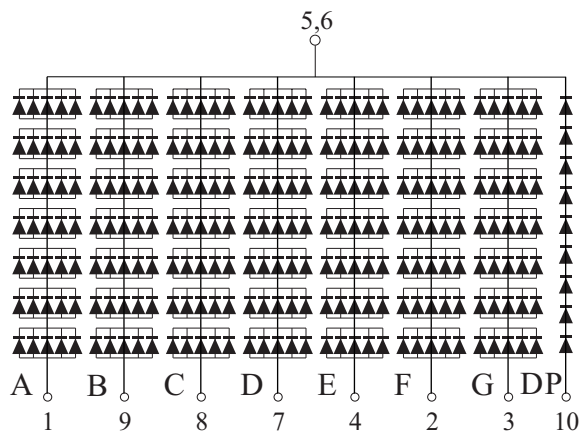
PACKAGE DIMENSION

E18001

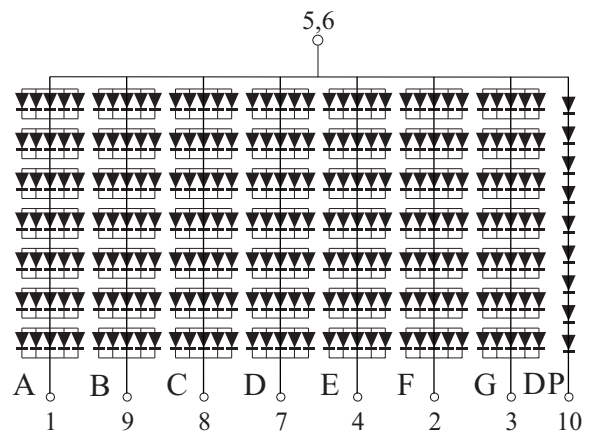


UNIT: MM(INCH) TOLERANCE: ±0.25(0.01'')

INTERNAL CIRCUIT DIAGRAM



CODE J



CODE G