



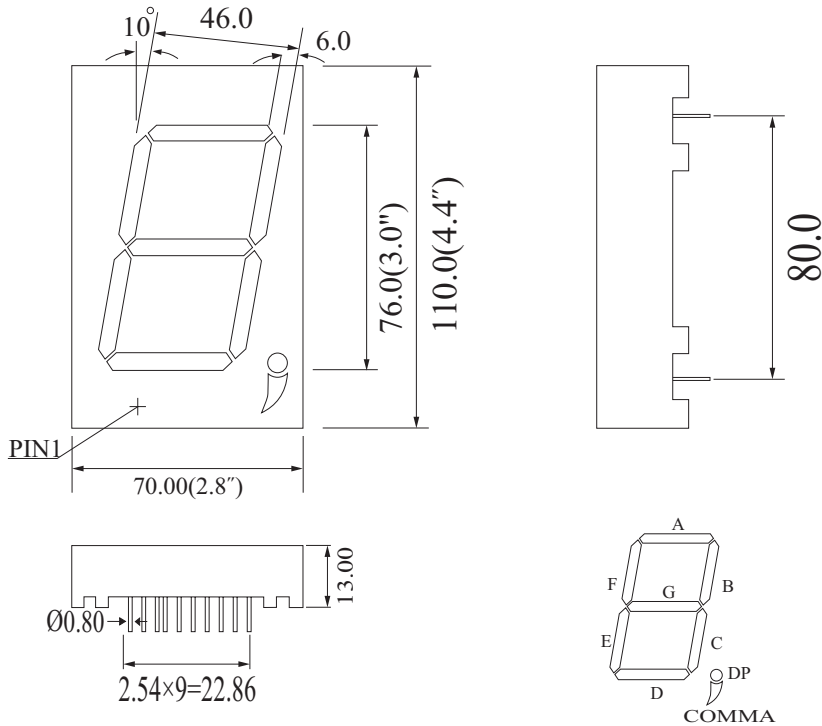
TOYO LED ELECTRONICS LIMITED

<http://www.toyo-led.com>

e-mail: sales@toyo-led.com

PACKAGE DIMENSION

E13001B



UNIT: MM(INCH) TOLERANCE: $\pm 0.25(0.01'')$

INTERNAL CIRCUIT DIAGRAM

