



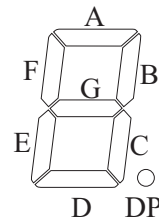
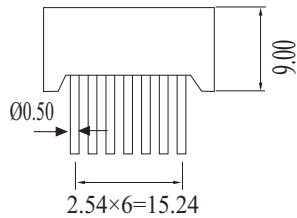
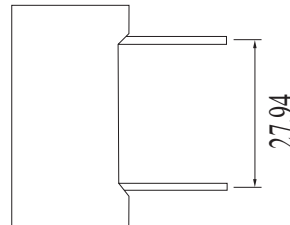
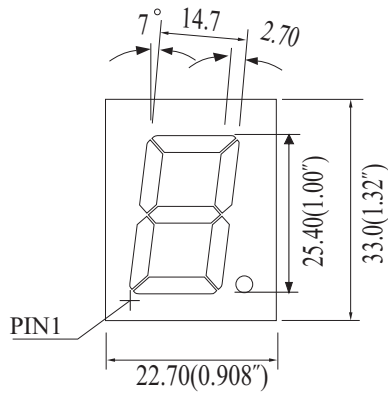
TOYO LED ELECTRONICS LIMITED

<http://www.toyo-led.com>

e-mail: sales@toyo-led.com

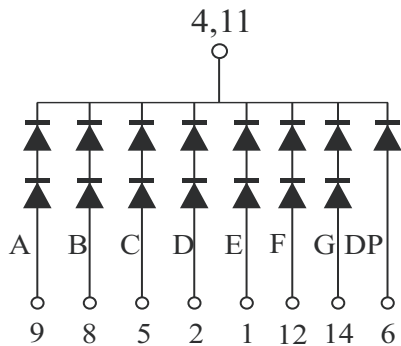
PACKAGE DIMENSION

E11002

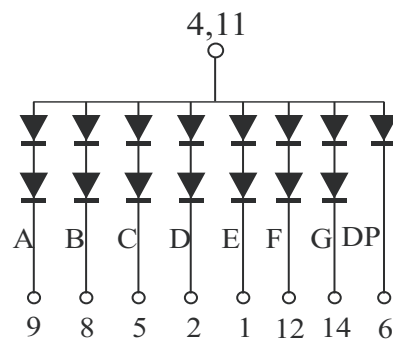


UNIT: MM(INCH) TOLERANCE: $\pm 0.25(0.01")$

INTERNAL CIRCUIT DIAGRAM



3,7,10 & 13 NO CONNECT
CODE J



3,7,10 & 13 NO CONNECT
CODE G