



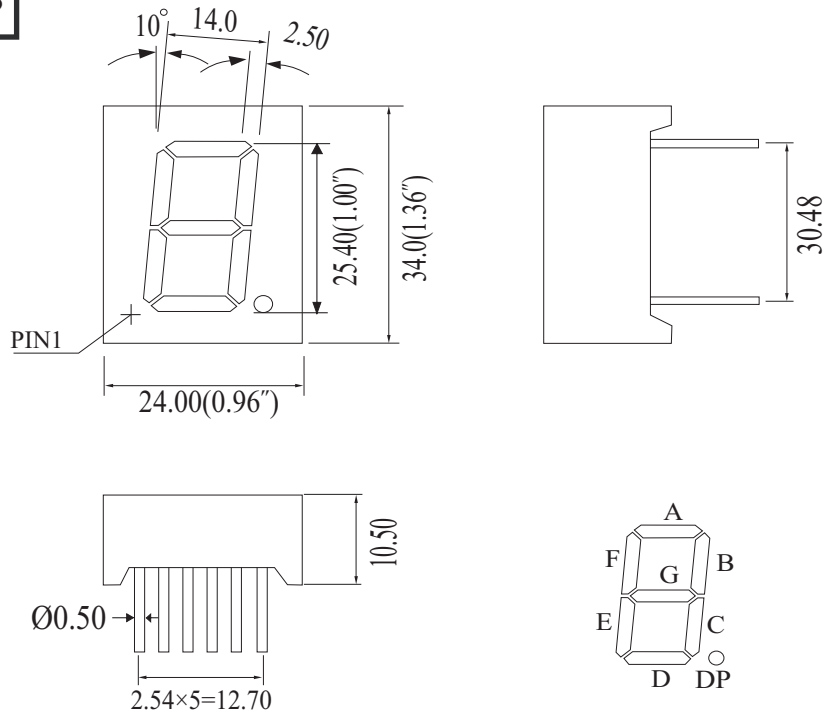
TOYO LED ELECTRONICS LIMITED

<http://www.toyo-led.com>

e-mail: sales@toyo-led.com

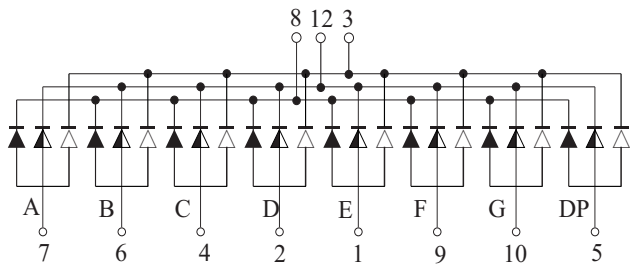
PACKAGE DIMENSION

E11001RGB

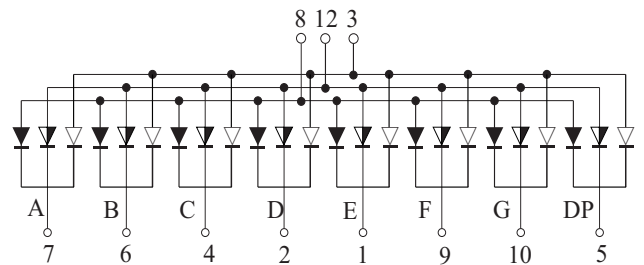


UNIT: MM(INCH) TOLERANCE: ±0.25(0.01")

INTERNAL CIRCUIT DIAGRAM



11 NO PIN
CODE J



11 NO PIN
CODE G

- ▶ RED
- ▶ GREEN
- ▶ BLUE