



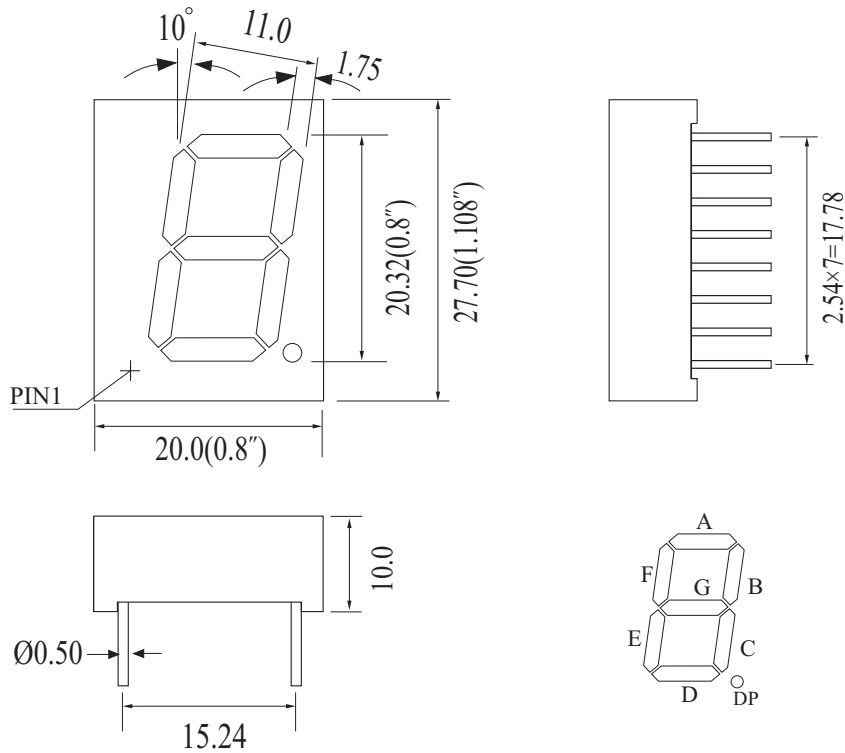
TOYO LED ELECTRONICS LIMITED

<http://www.toyo-led.com>

e-mail: sales@toyo-led.com

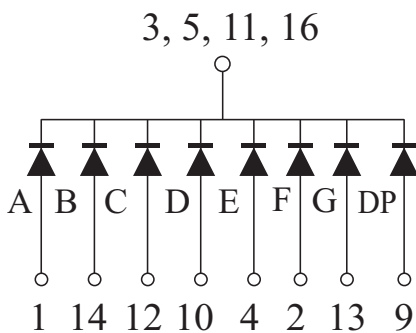
PACKAGE DIMENSION

E10804



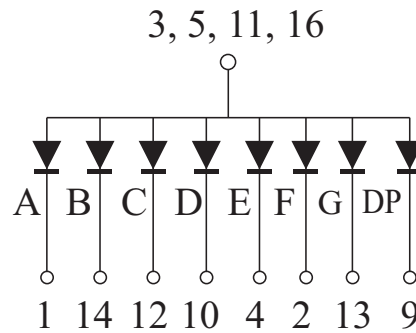
UNIT: MM(INCH) TOLERANCE: ±0.25(0.01")

INTERNAL CIRCUIT DIAGRAM



7, 8 & 15 NO PIN
6 NO CONNECT

CODE J1



7, 8 & 15 NO PIN
6 NO CONNECT

CODE G1