



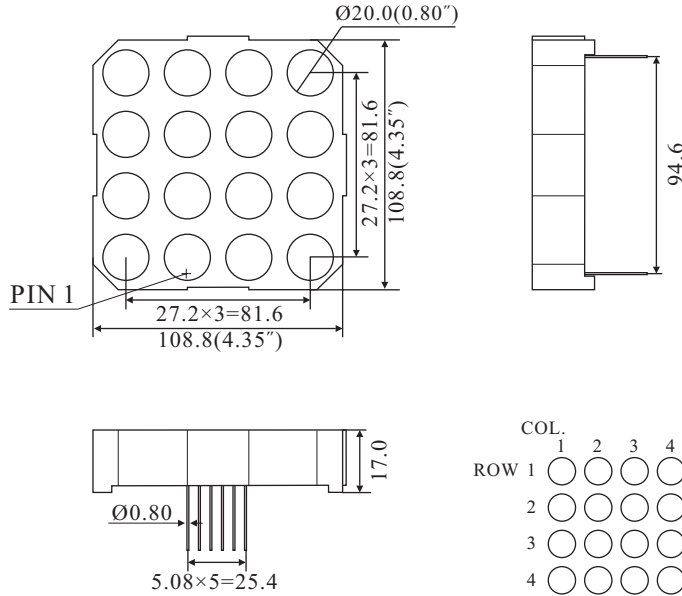
TOYO LED ELECTRONICS LIMITED

<http://www.toyo-led.com>

e-mail: sales@toyo-led.com

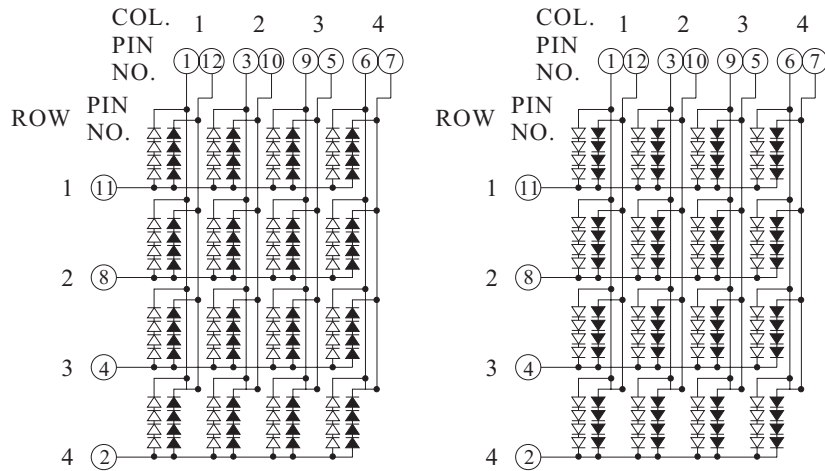
PACKAGE DIMENSION

D80441B



UNIT: MM(INCH) TOLERANCE: $\pm 0.25 (0.01'')$

INTERNAL CIRCUIT DIAGRAM



CODE N

CODE M

