



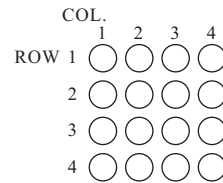
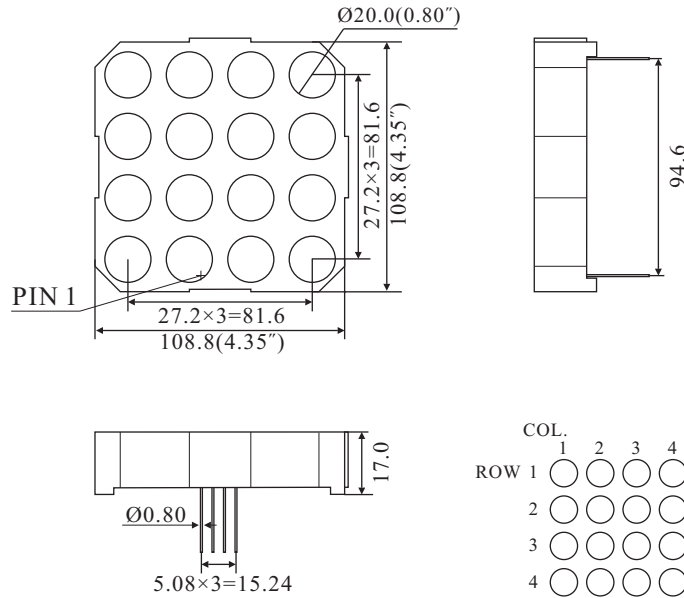
TOYO LED ELECTRONICS LIMITED

<http://www.toyo-led.com>

e-mail: sales@toyo-led.com

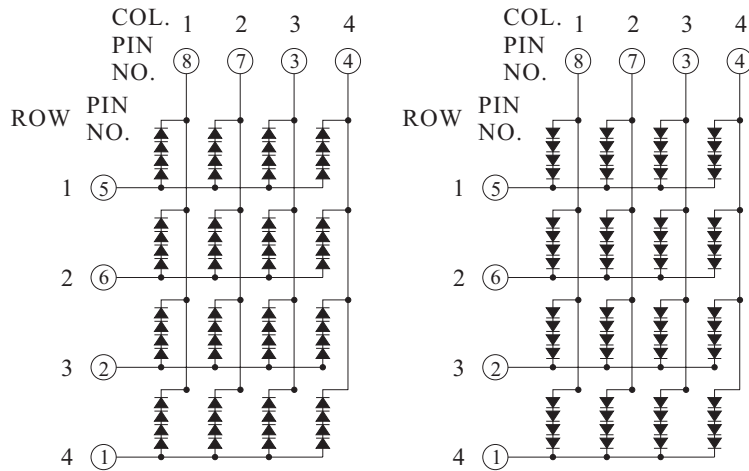
PACKAGE DIMENSION

D80441



UNIT: MM(INCH) TOLERANCE: ± 0.25 (0.01")

INTERNAL CIRCUIT DIAGRAM



CODE N

CODE M