



TOYO LED ELECTRONICS LIMITED

Room 1610, Hong Kong Plaza, 188 Connaught Road West, Hong Kong.

Tel : (852) 2540 7288

http://www.toyo-led.com

Fax : (852) 2517 1797

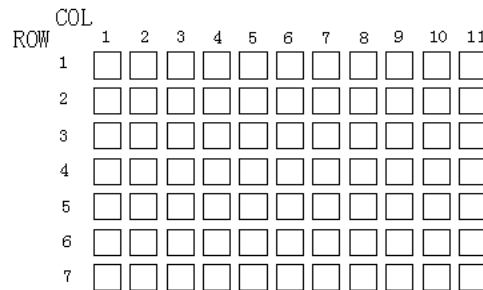
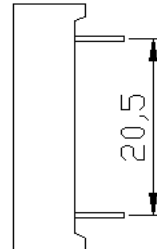
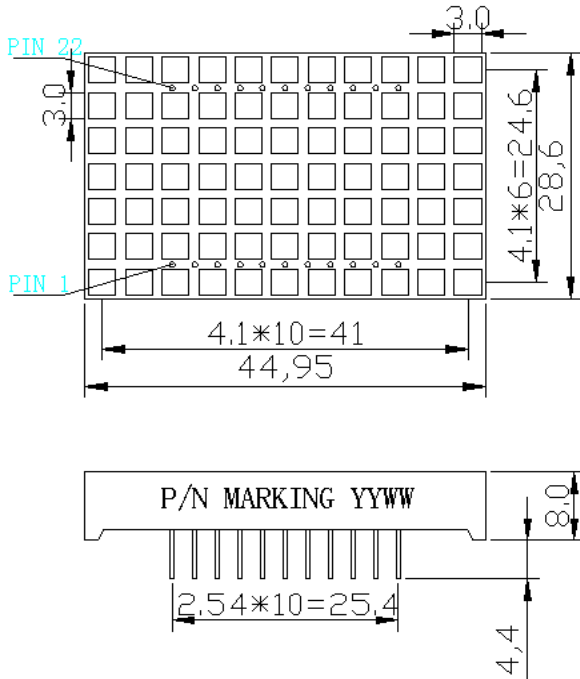
E-mail : sales@toyo-led.com



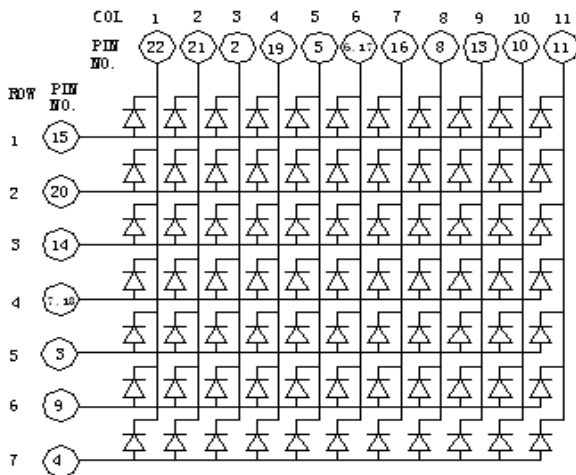
P/N: D121172-N/M

3mm 11*7Dot-Matrix Series

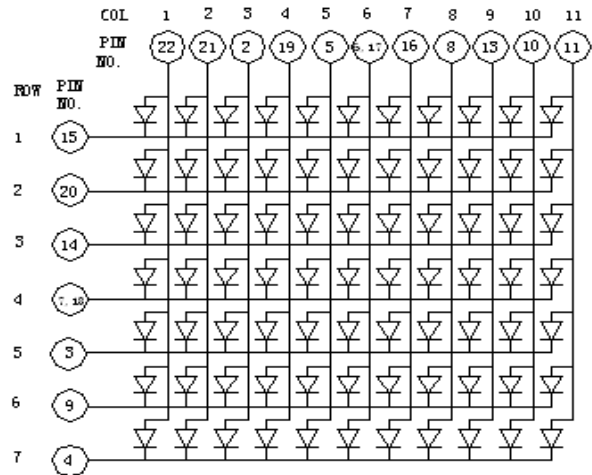
PACKAGE DIMENSIONS



INTERNAL CIRCUIT DIAGRAM



CODE N
1 & 12 NO PIN



CODE M
1 & 12 NO PIN

NOTES:

1. All dimensions are in millimeter(inch);
2. Tolerance is $\pm 0.25\text{mm}(0.01")$ especially other specified;
3. Pin length, housing color, marking no & circuit diagram can be customized;
4. Specifications are subject to change without notice.