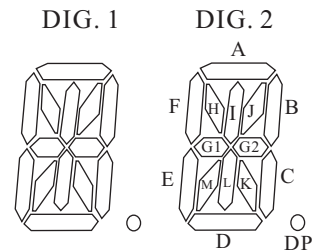
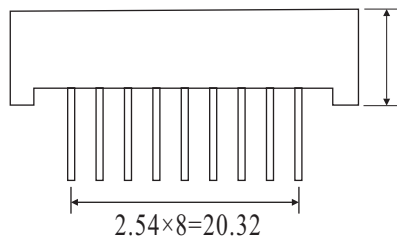
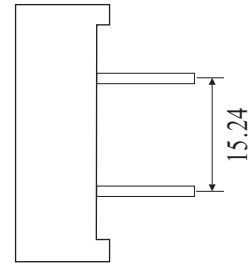
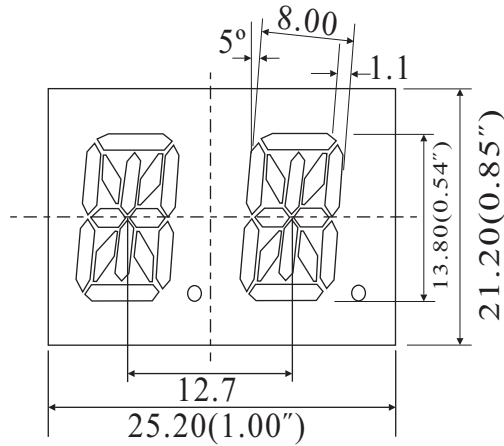




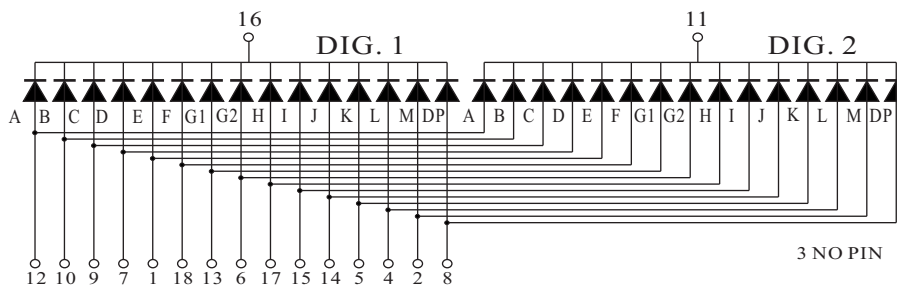
PACKAGE DIMENSION

A20541

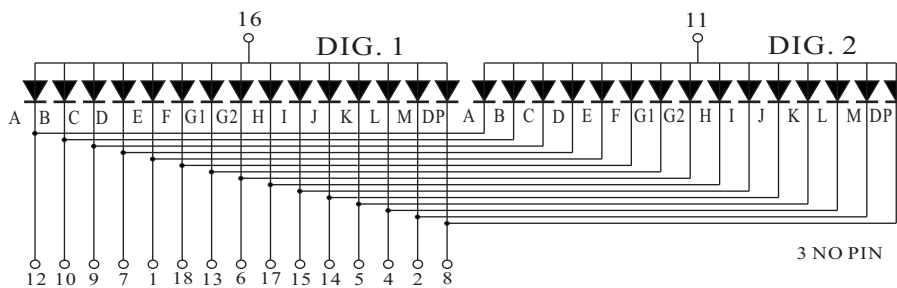


UNIT: MM(INCH) TOLERANCE: $\pm 0.25(0.01)$ "

INTERNAL CIRCUIT DIAGRAM



CODE L



CODE I